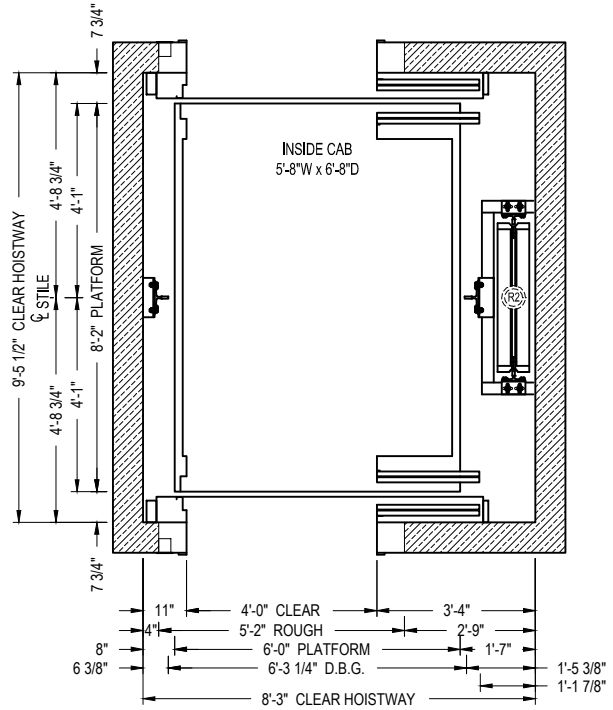


SECTION A-A
NOT TO SCALE

* CONSULT LITERATURE FOR SPEEDS EXCEEDING 200 fpm



TWO SPEED HOISTWAY PLAN

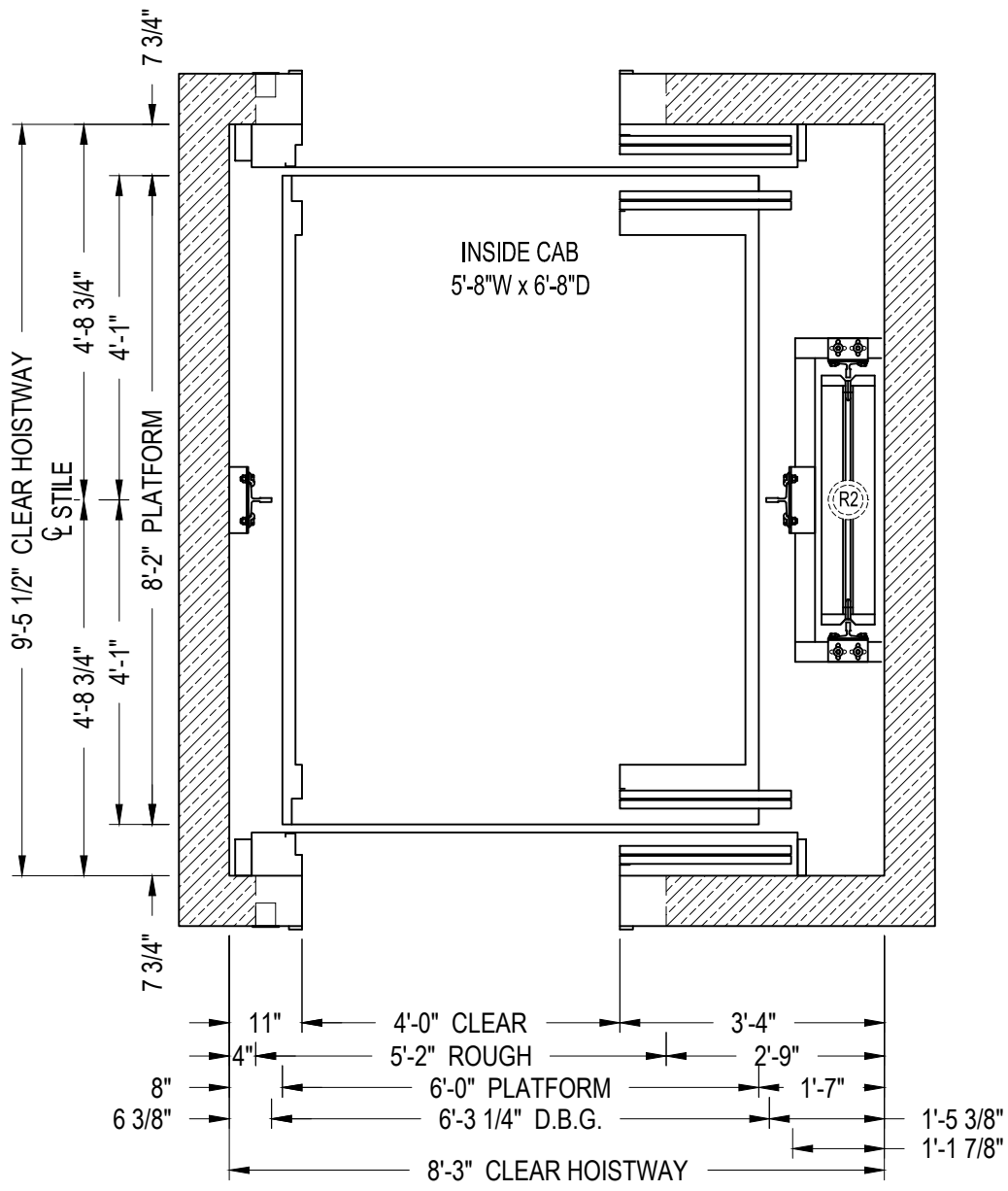


GEARLESS TRACTION
ELEVATION & PLAN VIEW

CAPACITY 3500 lbs.

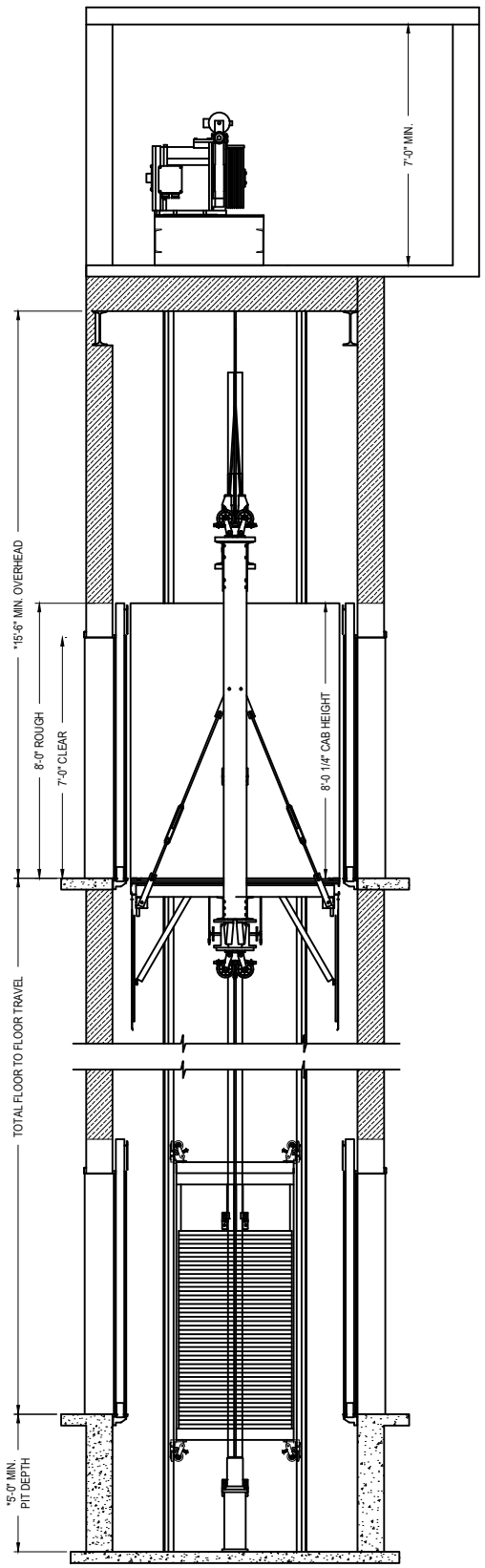
35HGLTTS2E14

TWO SPEED



TWO SPEED HOISTWAY PLAN

	<p>GEARLESS TRACTION</p>	<p>CAPACITY 3500 lbs.</p>	<p>35HGLTTS2E14</p>
	<p>PLAN VIEW</p>	<p>TWO SPEED</p>	



SECTION A-A
NOT TO SCALE

*- CONSULT LITERATURE FOR SPEEDS EXCEEDING 200 fpm



GEARLESS TRACTION
ELEVATION VIEW

CAPACITY 3500 lbs.
TWO SPEED

35HGLTTS2E14