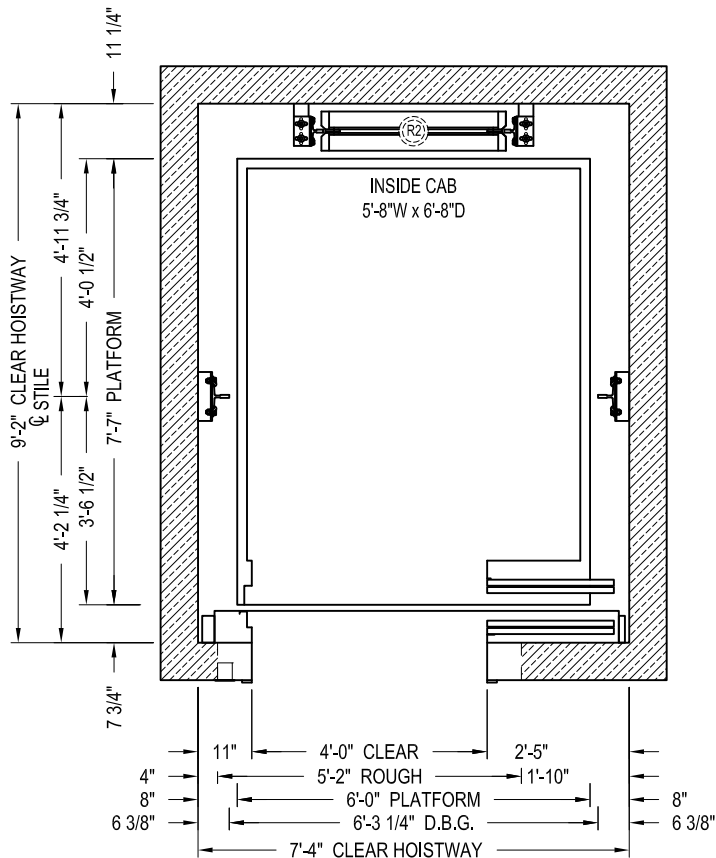


SECTION A-A
NOT TO SCALE

*-CONSULT LITERATURE FOR SPEEDS EXCEEDING 200 fpm



TWO SPEED HOISTWAY PLAN

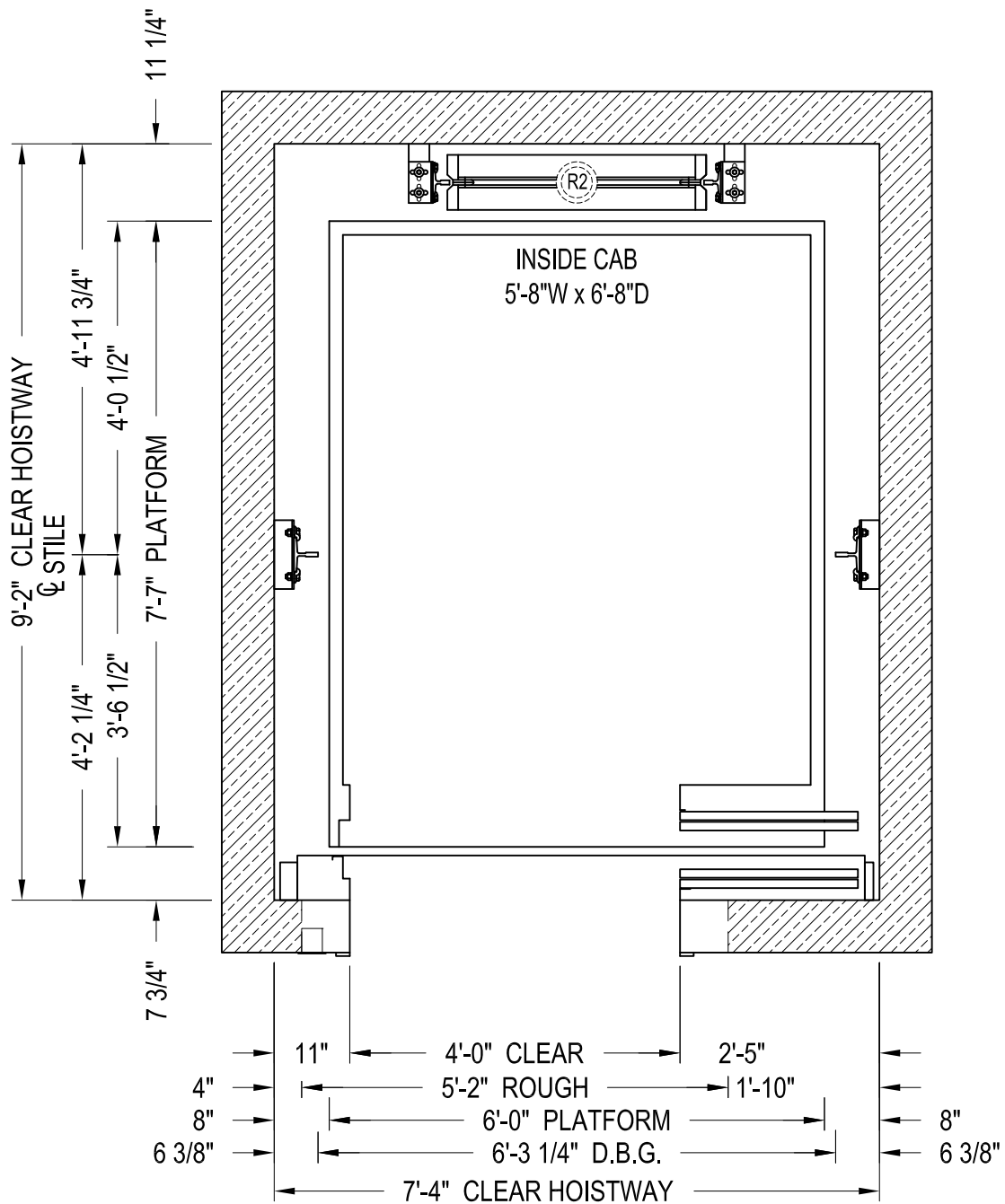


GEARLESS TRACTION
ELEVATION & PLAN VIEW

CAPACITY 3500 lbs.

35HGLTTS1E14

TWO SPEED



TWO SPEED HOISTWAY PLAN



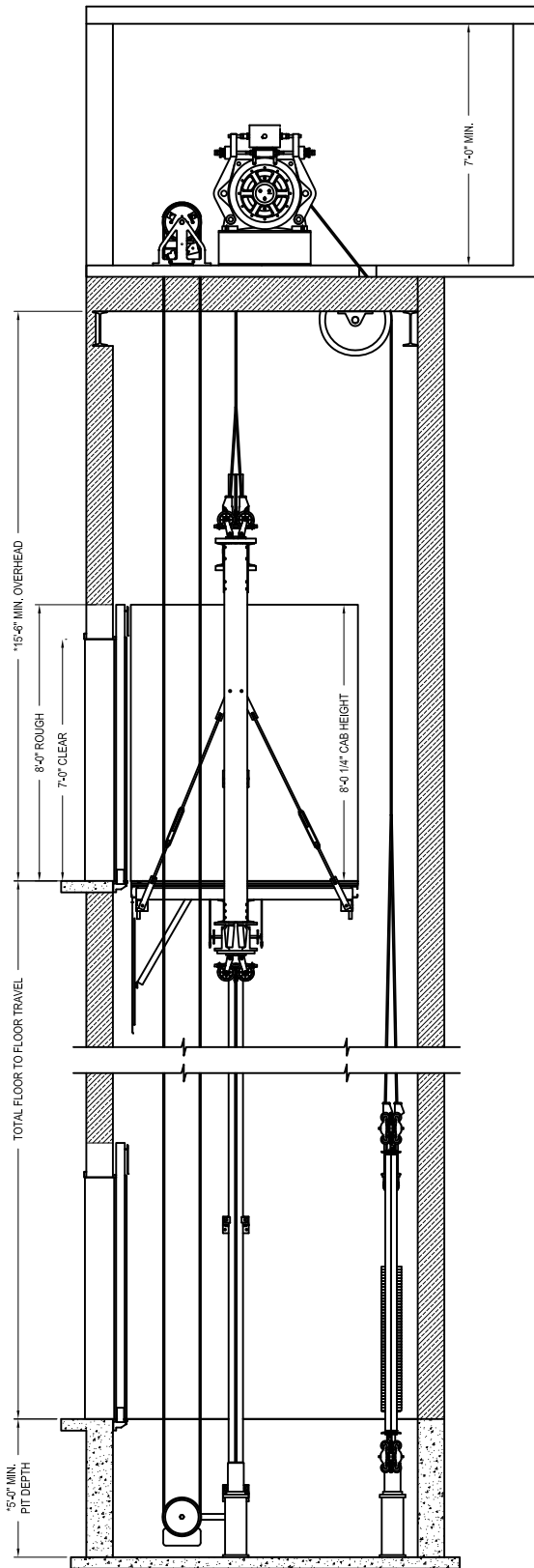
GEARLESS TRACTION

PLAN VIEW

CAPACITY 3500 lbs.

35HGLTTS1E14

TWO SPEED



SECTION A-A
NOT TO SCALE

*- CONSULT LITERATURE FOR SPEEDS EXCEEDING 200 fpm



GEARLESS TRACTION
ELEVATION VIEW

CAPACITY 3500 lbs.

35HGLTTS1E14

TWO SPEED