

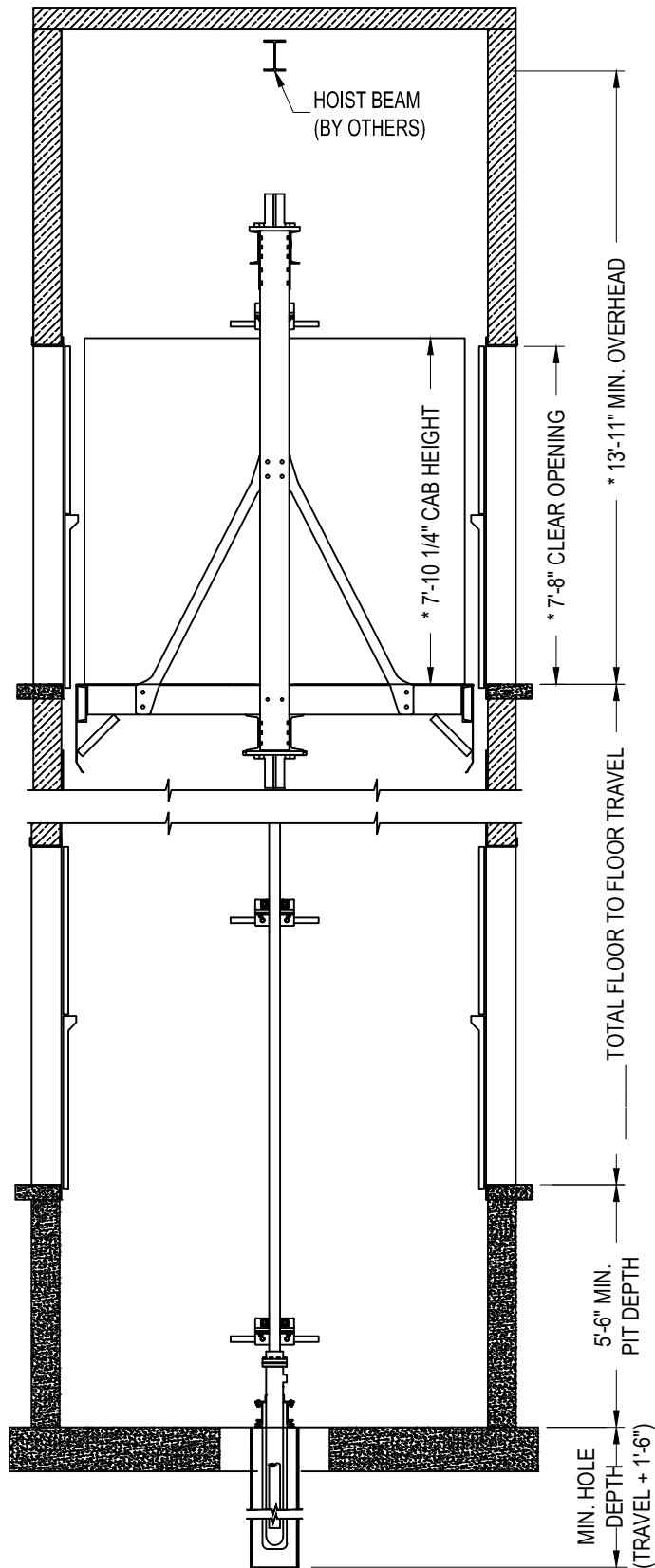
SECTION A-A
NOT TO SCALE

* DIMENSIONS BASED ON 7'-8" INSIDE CAB.
OTHER OPTIONS AVAILABLE.
CONSULT LITERATURE.

CAPACITY 10,000 lbs.	100FIG2E14
FREIGHT (Class B)	

FREIGHT IN-GROUND
ELEVATION & PLAN VIEW





SECTION A-A
NOT TO SCALE

* DIMENSIONS BASED ON 7'-8" INSIDE CAB.
OTHER OPTIONS AVAILABLE.
CONSULT LITERATURE.

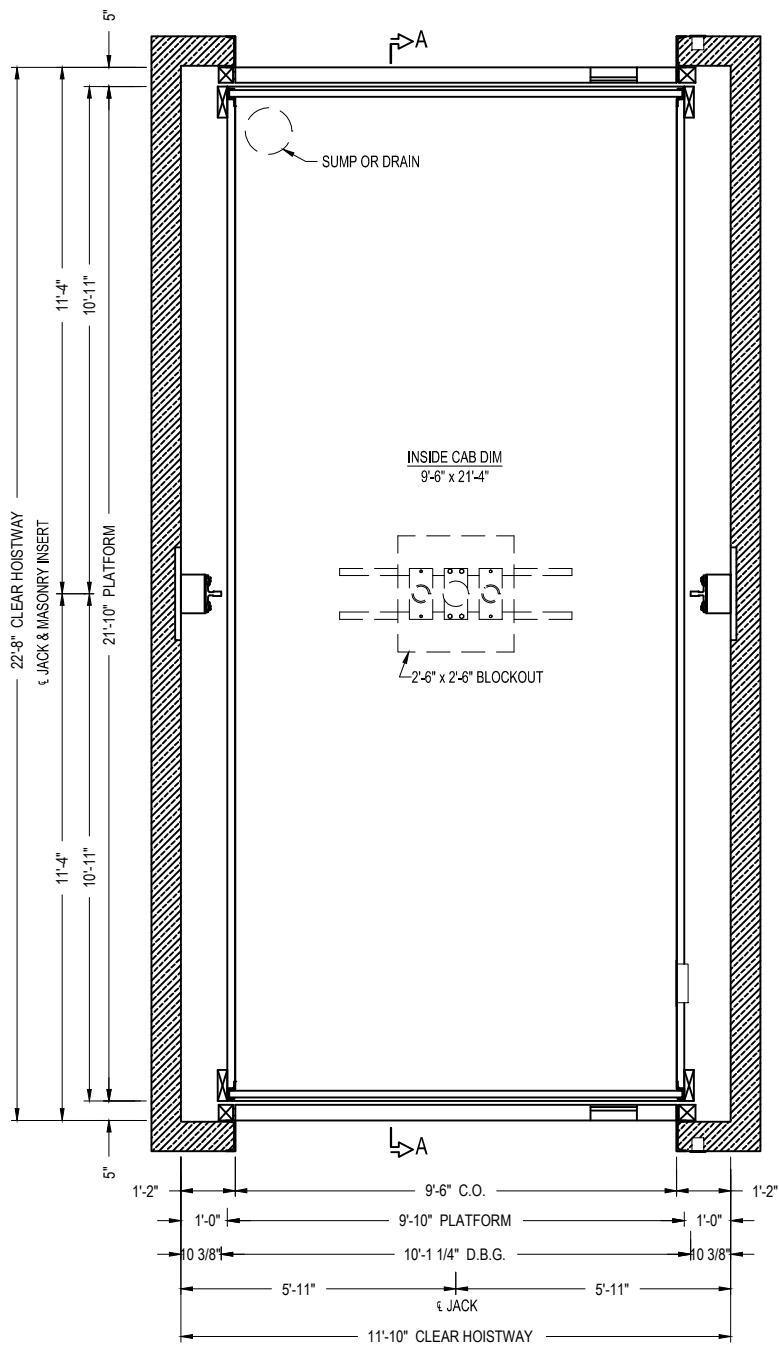


FREIGHT IN-GROUND
ELEVATION VIEW

CAPACITY 10,000 lbs.

100FIG2E14

FREIGHT (Class B)



HOISTWAY PLAN



**FREIGHT IN-GROUND
 PLAN VIEW**

**CAPACITY 10,000 lbs. 100FIG2E14
 FREIGHT (Class B)**