

SECTION A-A
NOT TO SCALE

* DIMENSIONS BASED ON 7'-8" INSIDE CAB.
OTHER OPTIONS AVAILABLE.
CONSULT LITERATURE.

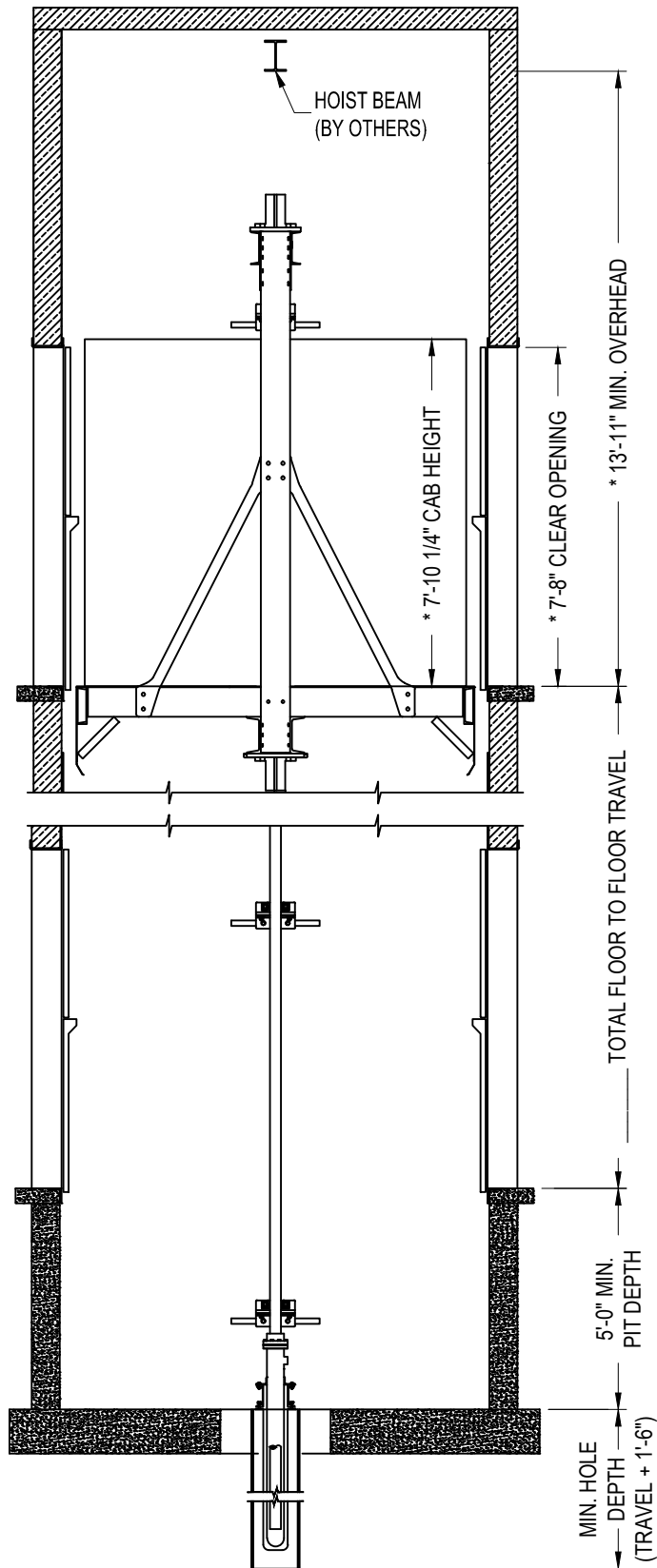


FREIGHT IN-GROUND
ELEVATION & PLAN VIEW

CAPACITY 10,000 lbs.

100FIG2E14

FREIGHT



SECTION A-A
NOT TO SCALE

* DIMENSIONS BASED ON 7'-8" INSIDE CAB.
OTHER OPTIONS AVAILABLE.
CONSULT LITERATURE.

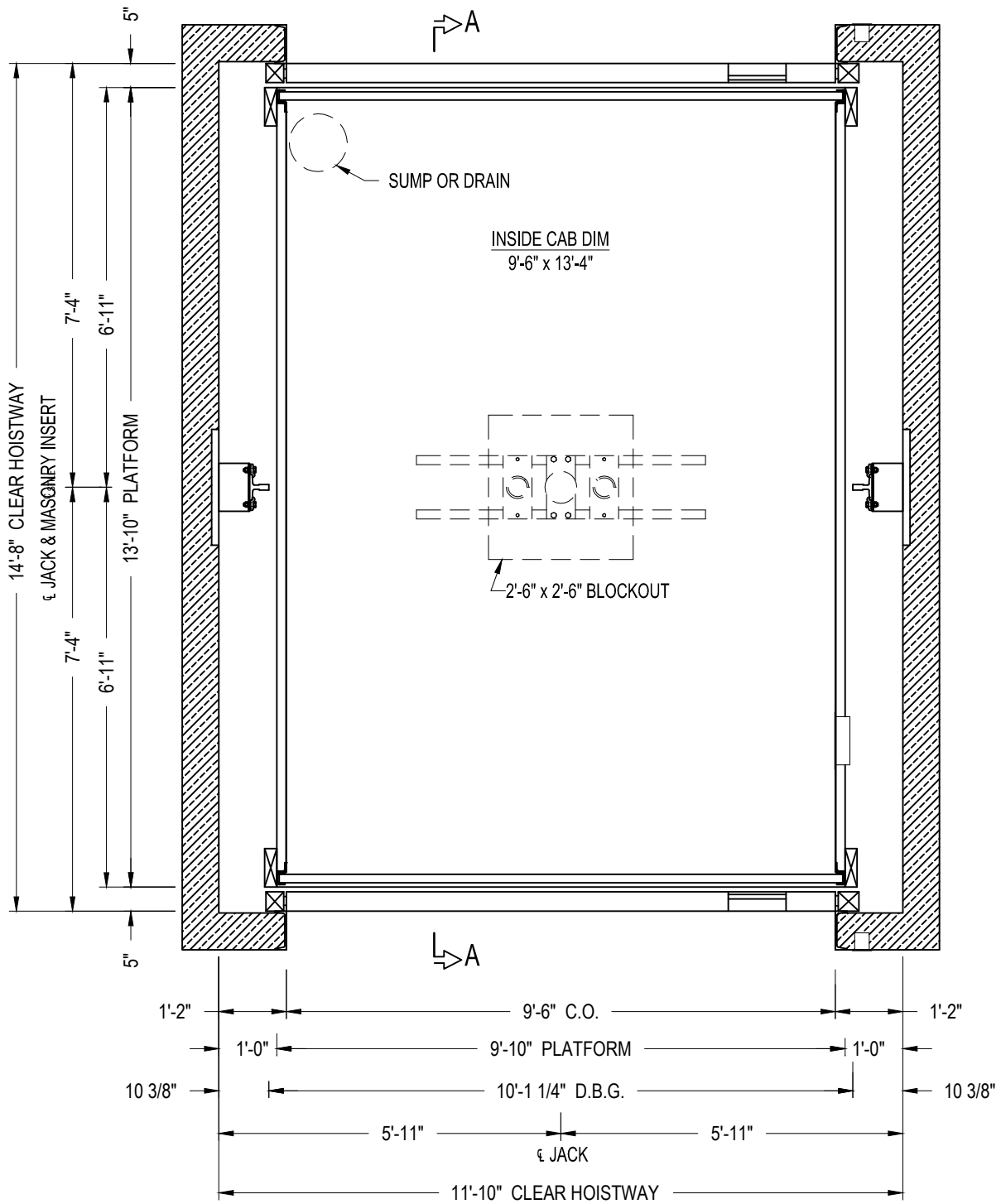


FREIGHT IN-GROUND
ELEVATION VIEW

CAPACITY 10,000 lbs.

100FIG2E14

FREIGHT



HOISTWAY PLAN



FREIGHT IN-GROUND
 PLAN VIEW

CAPACITY 10,000 lbs.
 FREIGHT

100FIG2E14