

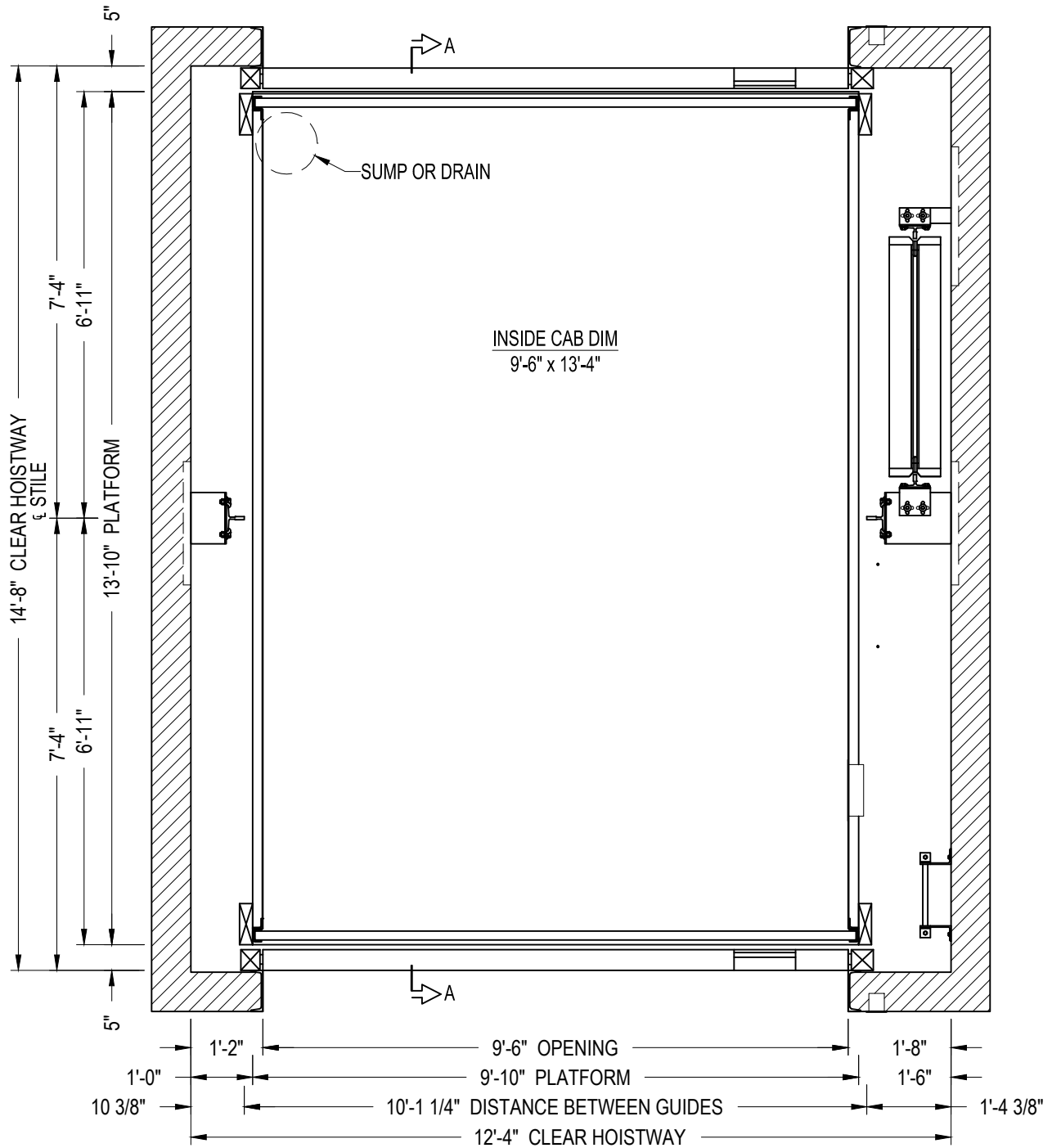
*- DIMENSIONS VARY FOR DOOR SIZE, GATE TYPE, SPEED, ETC. DIMENSIONS GIVEN ARE BASED ON 7'-8\"/>

SECTION A-A
NOT TO SCALE



TRACTION FREIGHT
ELEVATION & PLAN VIEW

CAPACITY 10,000 lbs. 100.TF.C.2E.14
VERTICAL BI-PARTING



HOISTWAY PLAN



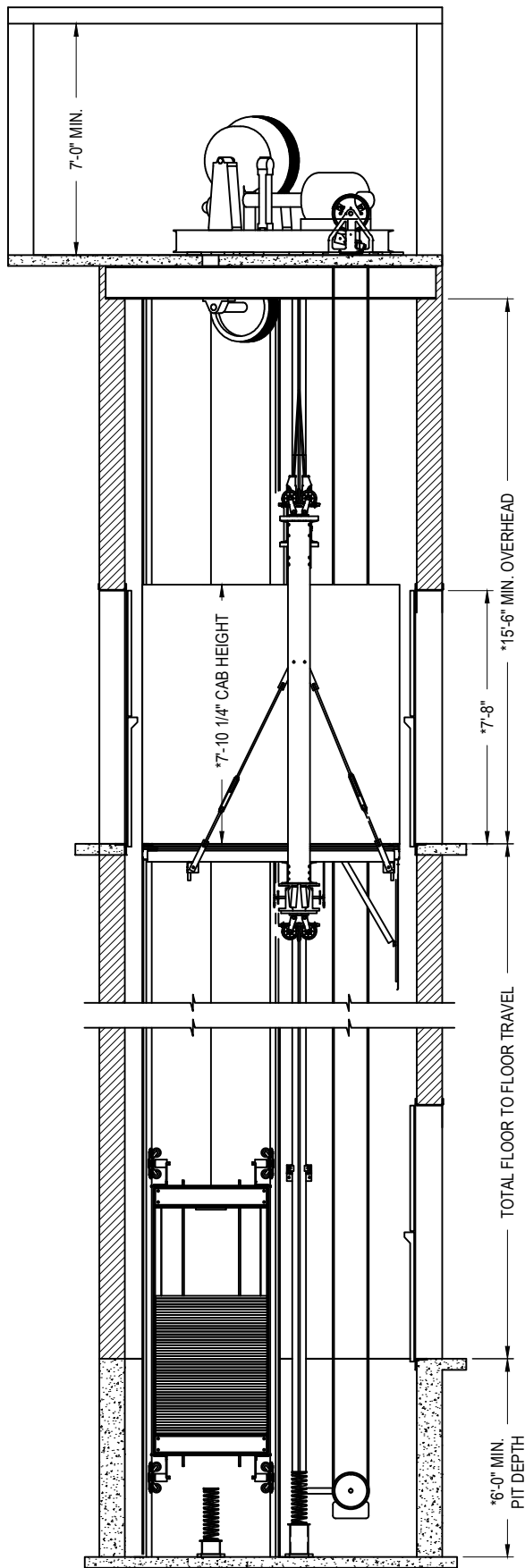
TRACTION FREIGHT

PLAN VIEW

CAPACITY 10,000 lbs.

100.TF.C.2E.14

VERTICAL BI-PARTING



* DIMENSIONS VARY FOR DOOR SIZE,
GATE TYPE, SPEED, ETC. DIMENSIONS
GIVEN ARE BASED ON 7'-8" INSIDE CAB.

SECTION A-A
NOT TO SCALE



TRACTION FREIGHT
ELEVATION VIEW

CAPACITY 10,000 lbs. 100.TF.C.2E.14
VERTICAL BI-PARTING