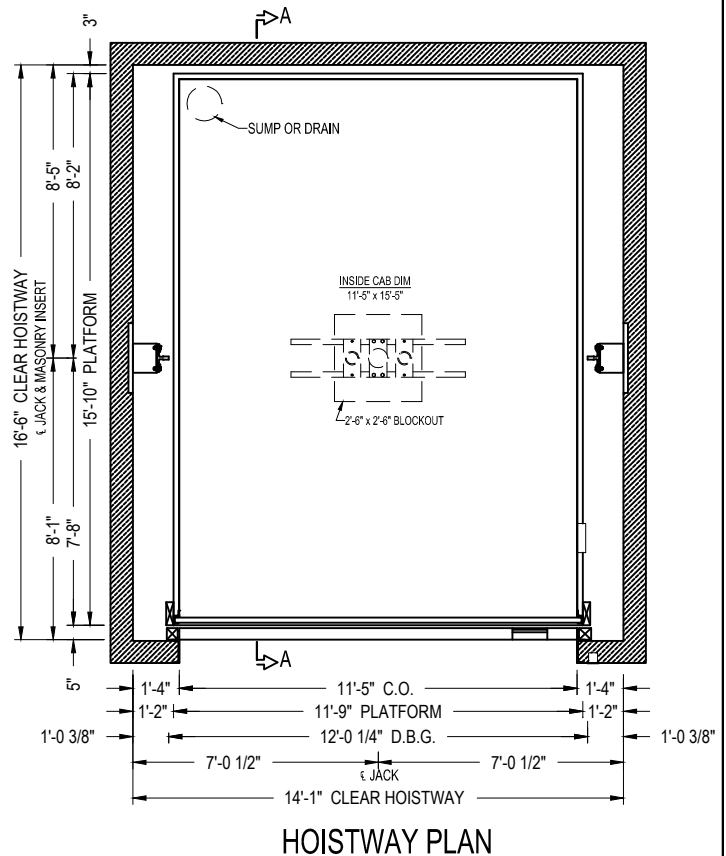


SECTION A-A
NOT TO SCALE

* DIMENSIONS BASED ON 7'-8" INSIDE CAB.
OTHER OPTIONS AVAILABLE.
CONSULT LITERATURE.

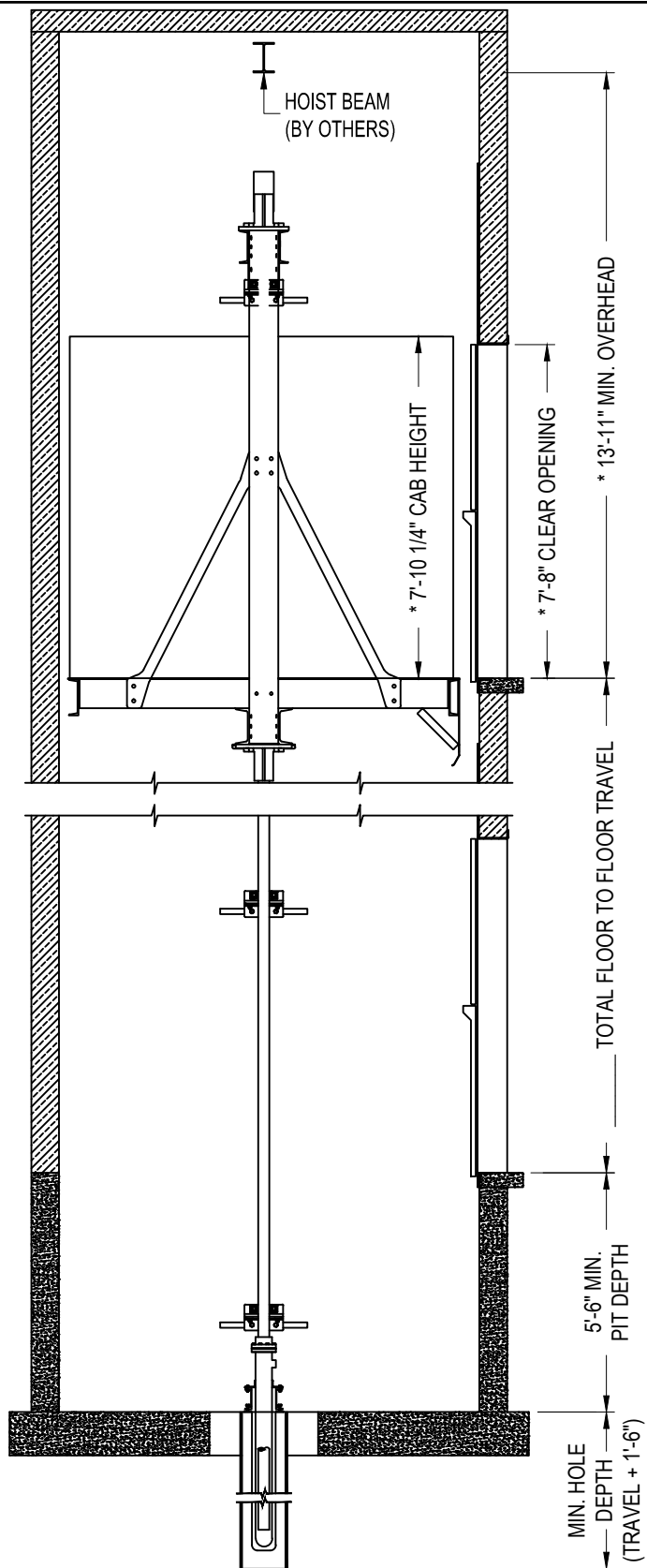


HOISTWAY PLAN



FREIGHT IN-GROUND
ELEVATION & PLAN VIEW

CAPACITY 15,000 lbs.	150FIG1E14
FREIGHT	



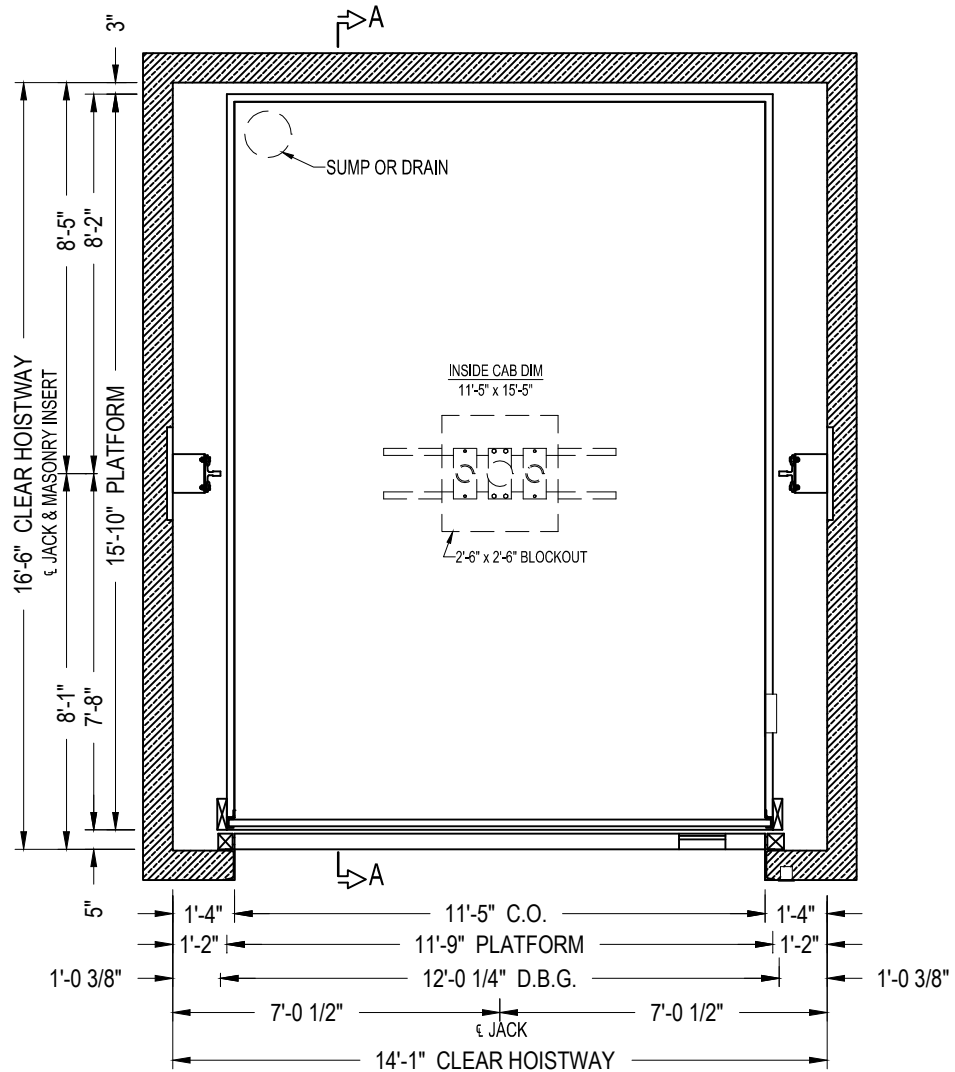
SECTION A-A
NOT TO SCALE

* DIMENSIONS BASED ON 7-8" INSIDE CAB.
OTHER OPTIONS AVAILABLE.
CONSULT LITERATURE.



FREIGHT IN-GROUND
ELEVATION VIEW

CAPACITY 15,000 lbs. 150FIG1E14
FREIGHT



HOISTWAY PLAN



**FREIGHT IN-GROUND
PLAN VIEW**

CAPACITY 15,000 lbs.

150FIG1E14

FREIGHT