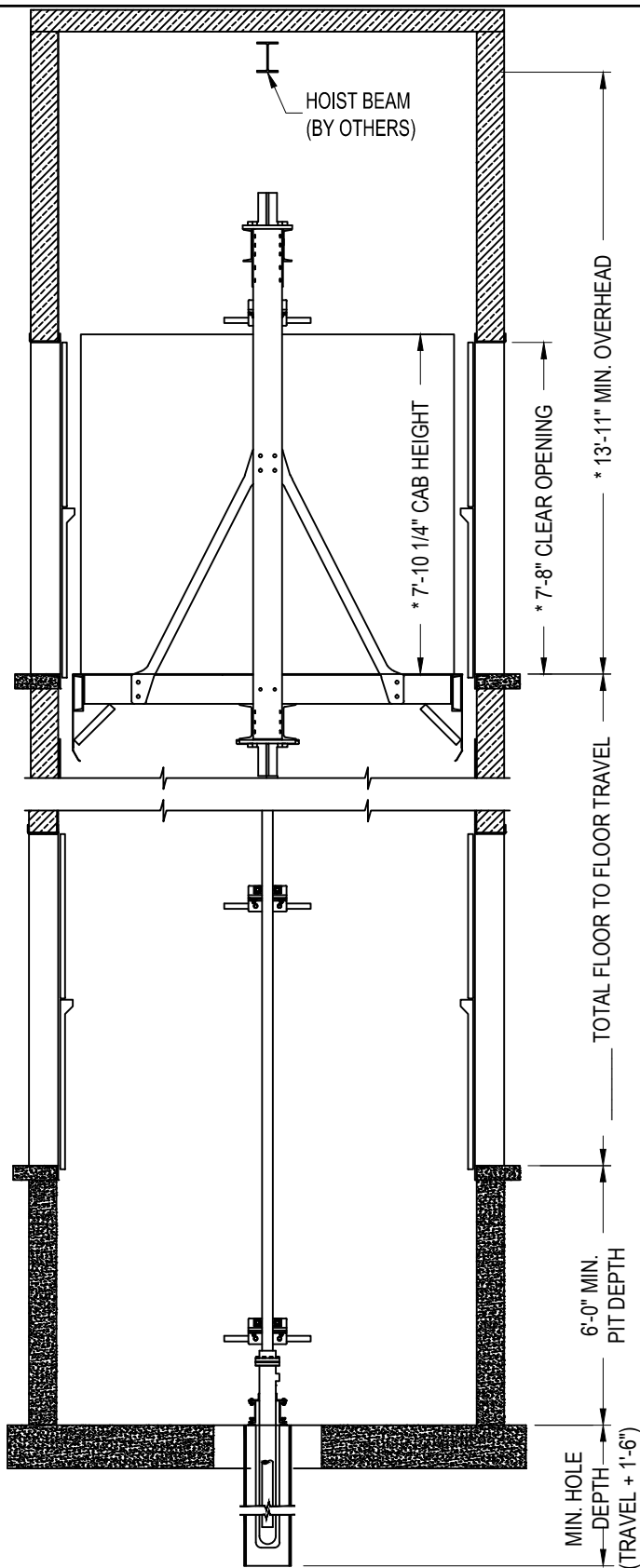


**FREIGHT IN-GROUND**  
**ELEVATION & PLAN VIEW**

**CAPACITY 20,000 lbs.**  
**FREIGHT**

**200FIG2E14**



SECTION A-A  
NOT TO SCALE

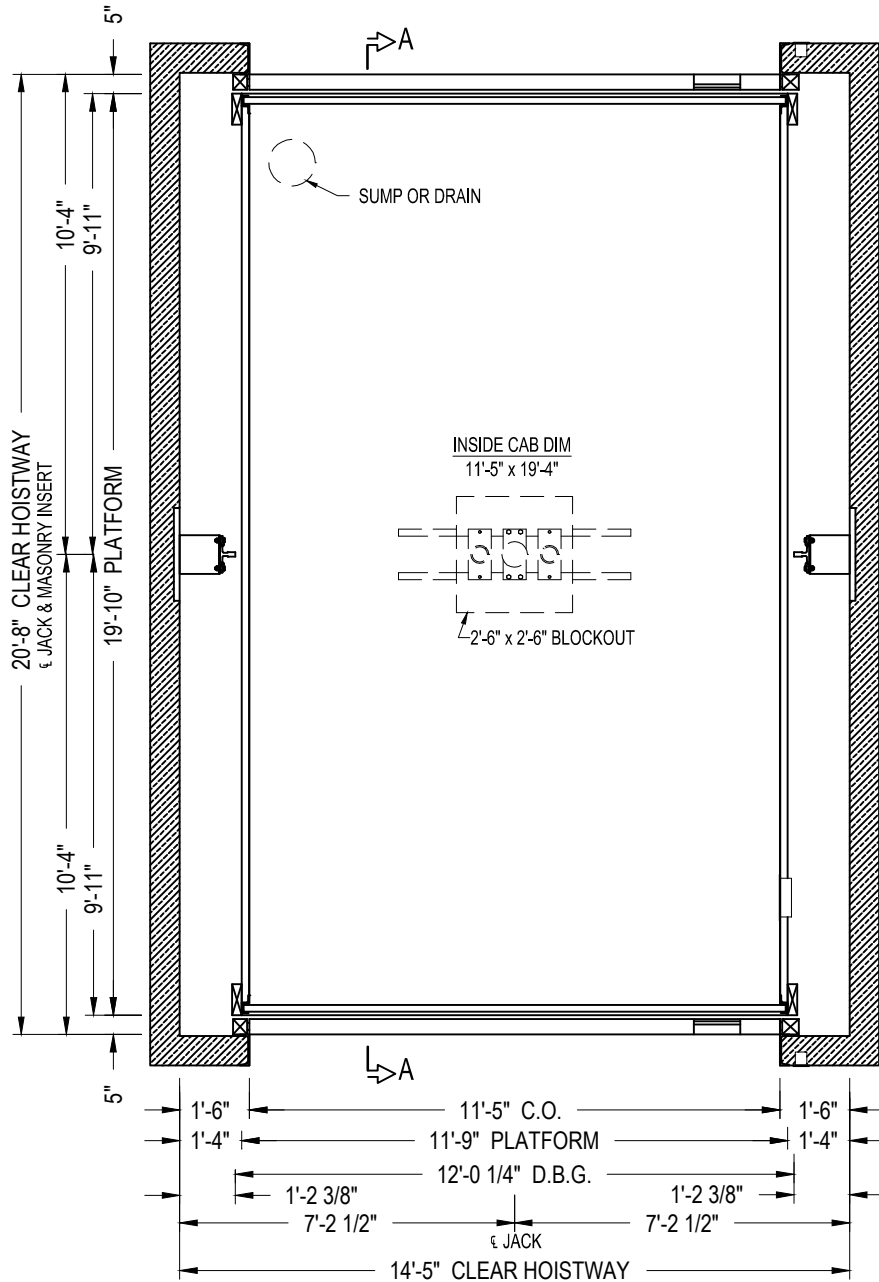
\* DIMENSIONS BASED ON 7'-8" INSIDE CAB.  
OTHER OPTIONS AVAILABLE.  
CONSULT LITERATURE.



FREIGHT IN-GROUND  
ELEVATION VIEW

CAPACITY 20,000 lbs.  
FREIGHT

200FIG2E14



**HOISTWAY PLAN**



**FREIGHT IN-GROUND  
 PLAN VIEW**

**CAPACITY 20,000 lbs.  
 FREIGHT**

**200FIG2E14**