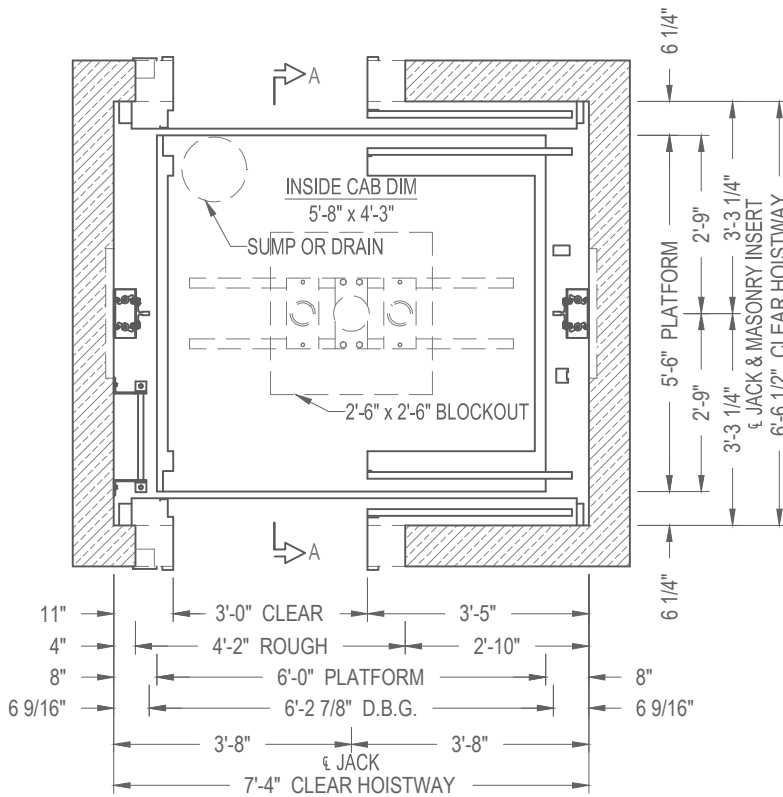


PASSENGER IN-GROUND
ELEVATION & PLAN VIEW

CAPACITY 2000 lbs.
SINGLE SLIDE

20IGSS2E14



SINGLE SPEED HOISTWAY PLAN



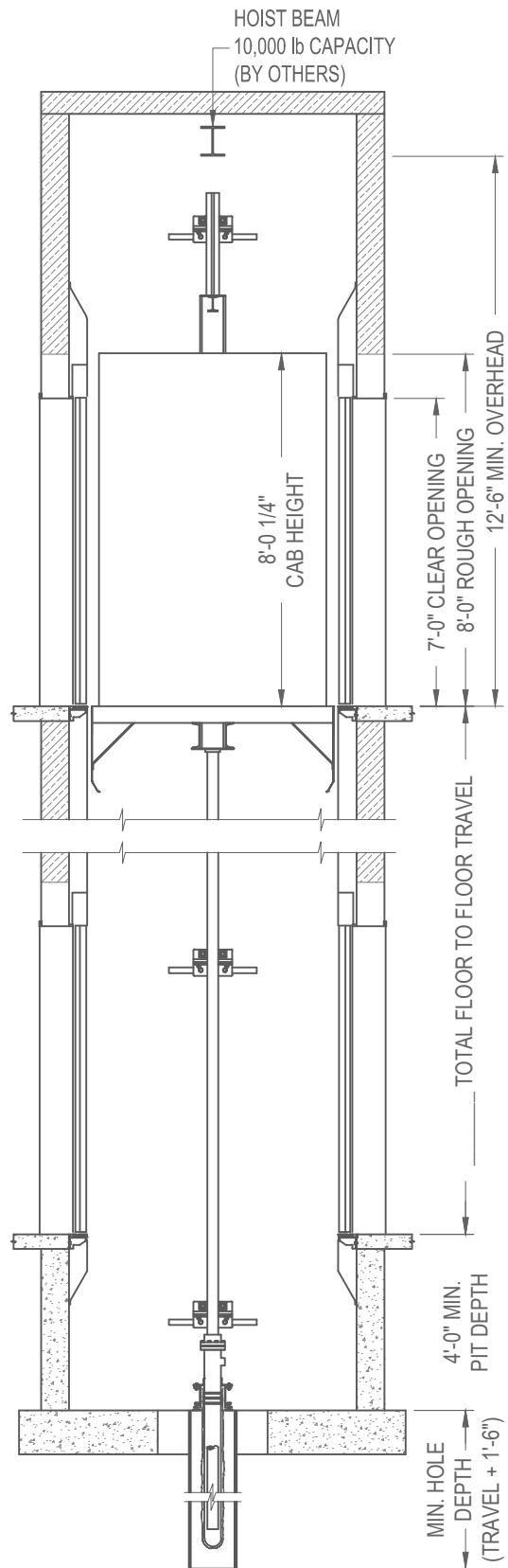
PASSENGER IN-GROUND

PLAN VIEW

CAPACITY 2000 lbs.

20IGSS2E14

SINGLE SLIDE



SECTION A-A
NOT TO SCALE



PASSENGER IN-GROUND
ELEVATION VIEW

CAPACITY 2000 lbs.
SINGLE SLIDE

20IGSS2E14