

SECTION A-A
NOT TO SCALE

* DIMENSIONS BASED ON 7'-8" INSIDE CAB.
OTHER OPTIONS AVAILABLE.
CONSULT LITERATURE.

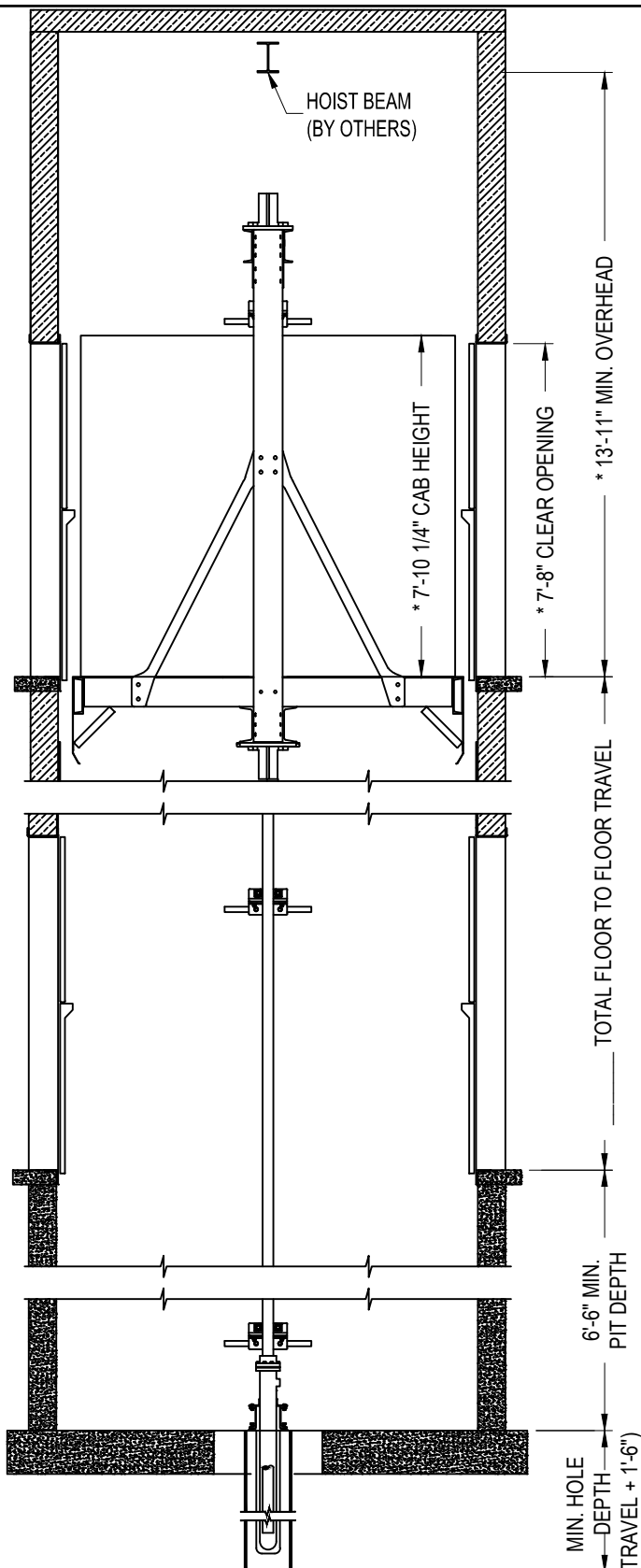


**FREIGHT IN-GROUND
ELEVATION & PLAN VIEW**

CAPACITY 25,000 lbs.

250FIG2E14

FREIGHT



SECTION A-A
NOT TO SCALE

* DIMENSIONS BASED ON 7'-8" INSIDE CAB.
OTHER OPTIONS AVAILABLE.
CONSULT LITERATURE.

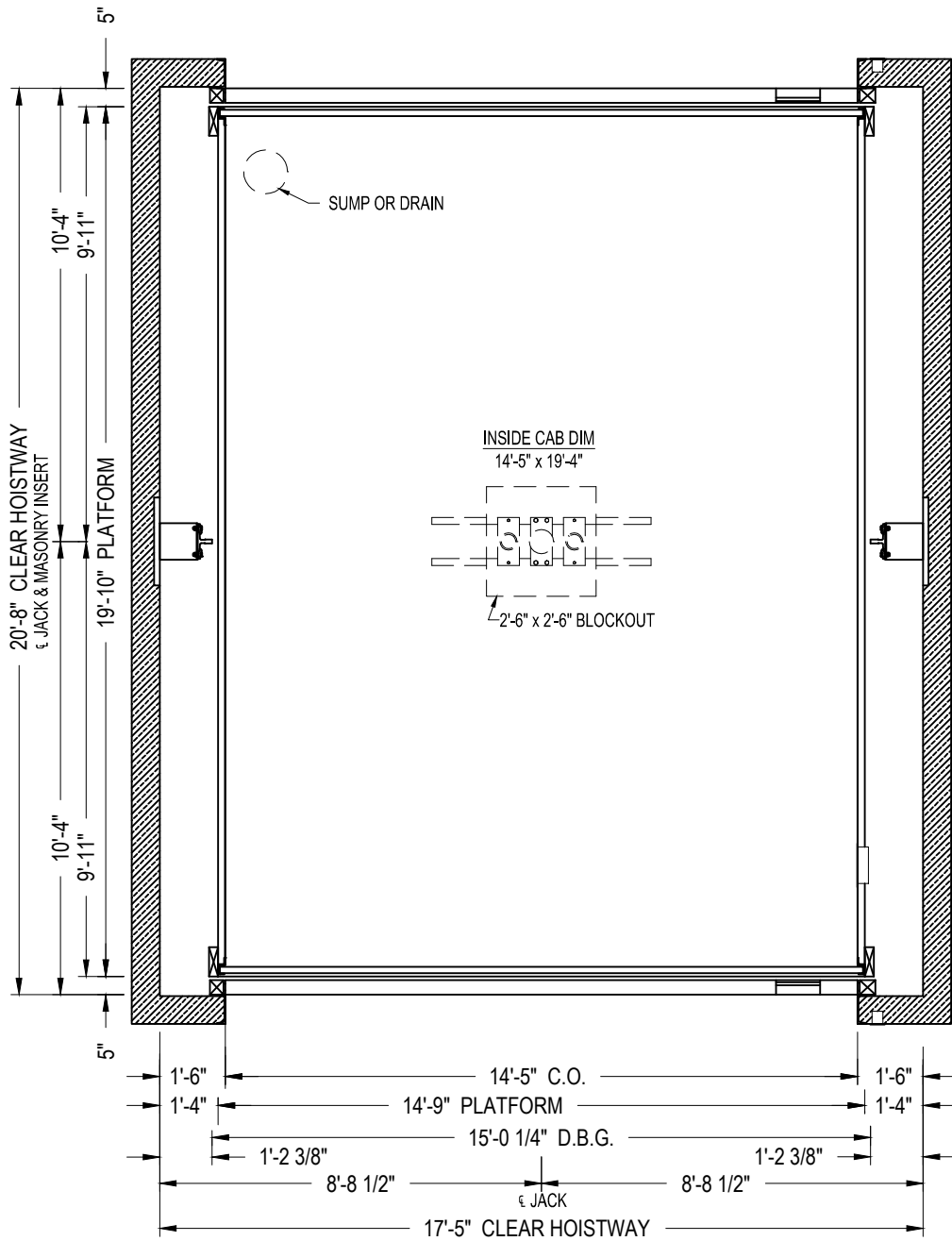


FREIGHT IN-GROUND
ELEVATION VIEW

CAPACITY 25,000 lbs.

250FIG2E14

FREIGHT



HOISTWAY PLAN



**FREIGHT IN-GROUND
PLAN VIEW**

**CAPACITY 25,000 lbs.
FREIGHT**

250FIG2E14