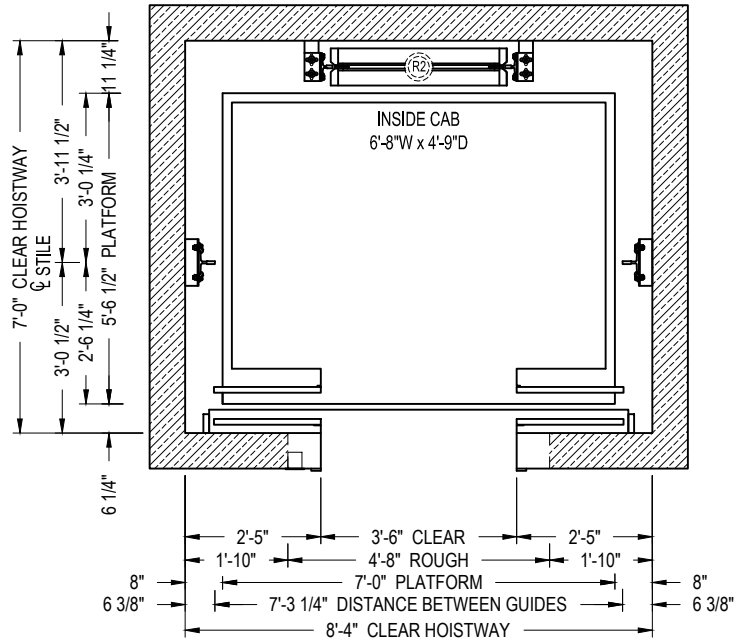
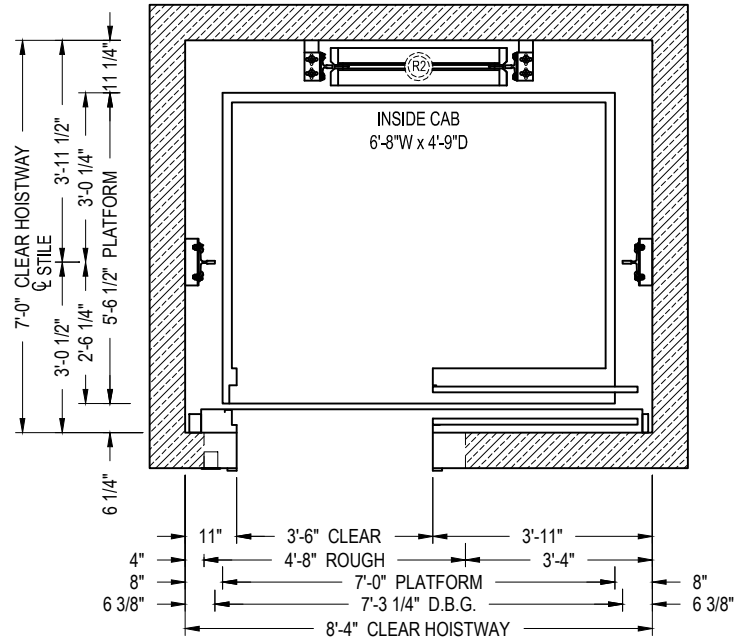


SECTION A-A  
NOT TO SCALE

\* CONSULT LITERATURE FOR SPEEDS EXCEEDING 200 fpm



CENTER PARTING HOISTWAY PLAN



SINGLE SPEED HOISTWAY PLAN

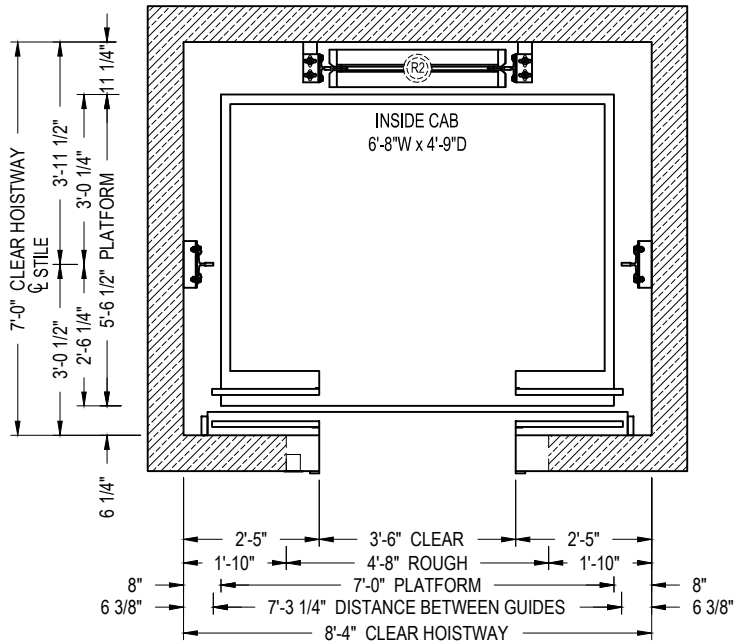


**GEARED TRACTION**  
**ELEVATION & PLAN VIEW**

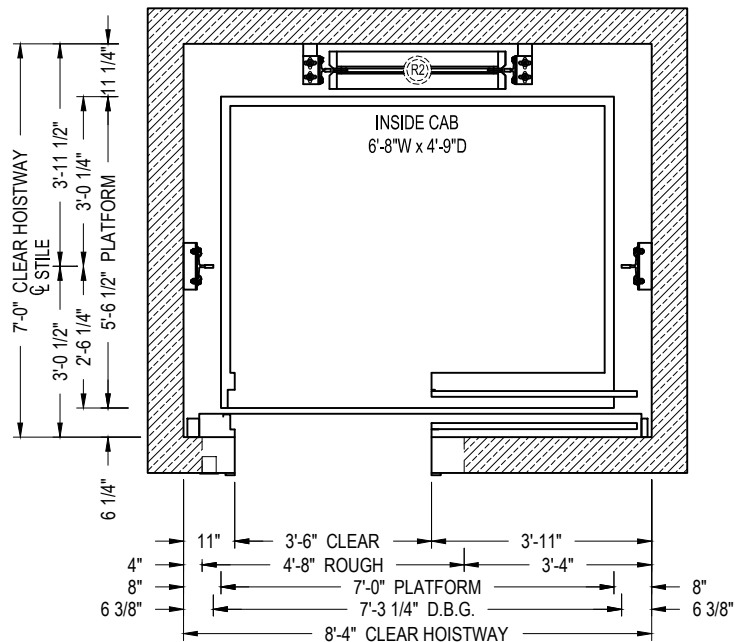
CAPACITY 3000 lbs.

30GTSS1E14

SINGLE SLIDE & CENTER PARTING



CENTER PARTING HOISTWAY PLAN



SINGLE SPEED HOISTWAY PLAN

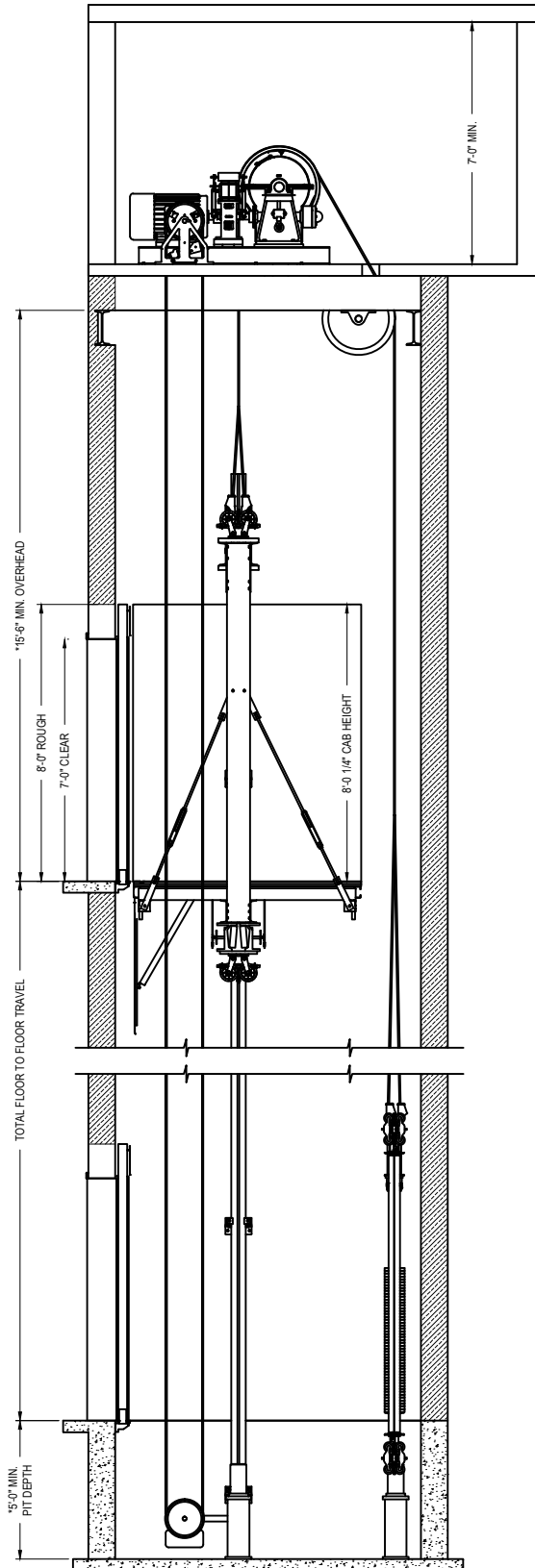


GEARED TRACTION  
 PLAN VIEW

CAPACITY 3000 lbs.

30GTSS1E14

SINGLE SLIDE & CENTER PARTING



SECTION A-A  
NOT TO SCALE

\*- CONSULT LITERATURE FOR SPEEDS EXCEEDING 200 fpm



GEARED TRACTION  
ELEVATION VIEW

CAPACITY 3000 lbs.

30GTSS1E14

SINGLE SLIDE & CENTER PARTING