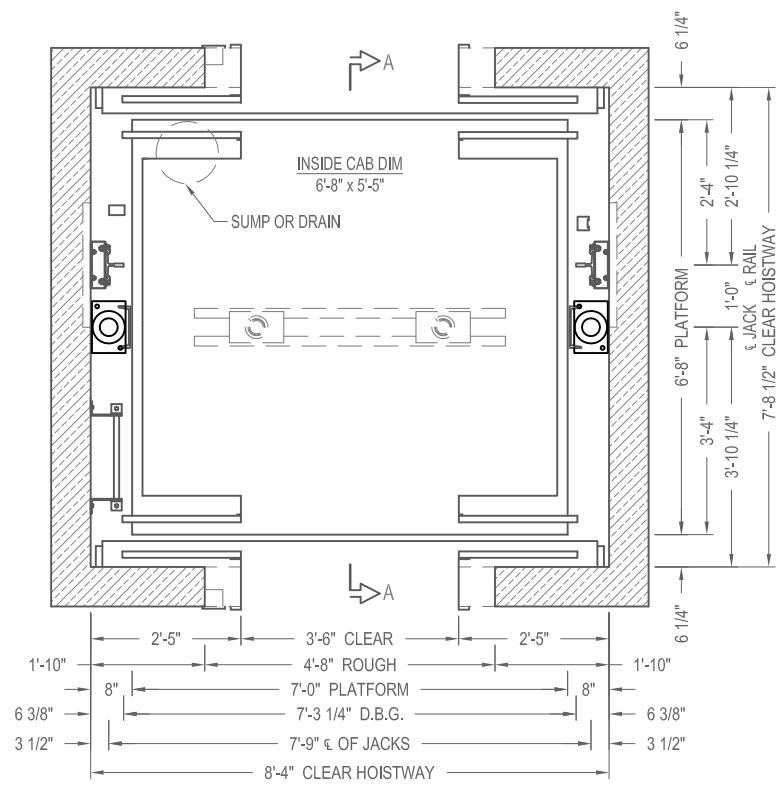
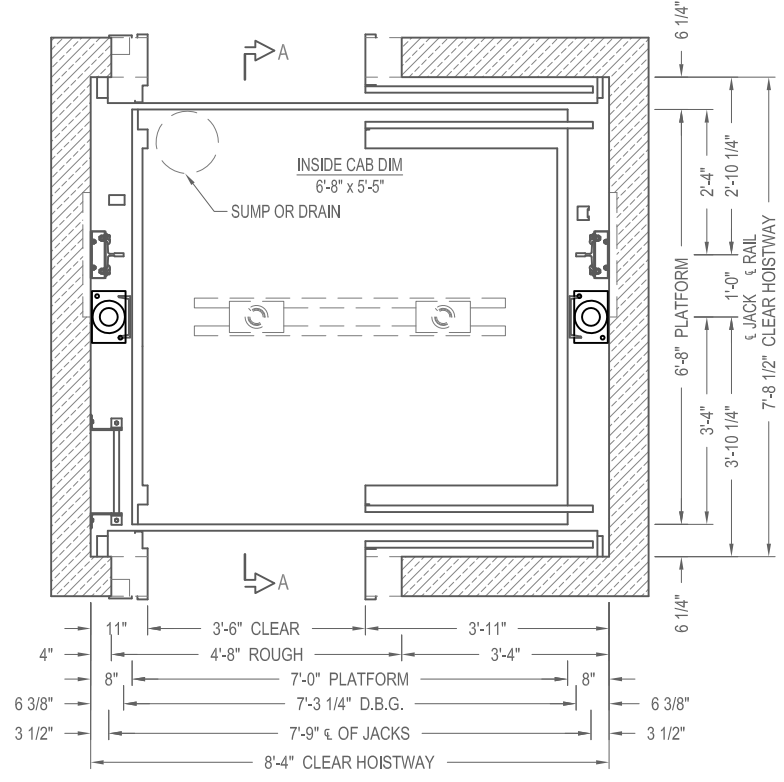


SECTION A-A
NOT TO SCALE



CENTER PARTING HOISTWAY PLAN

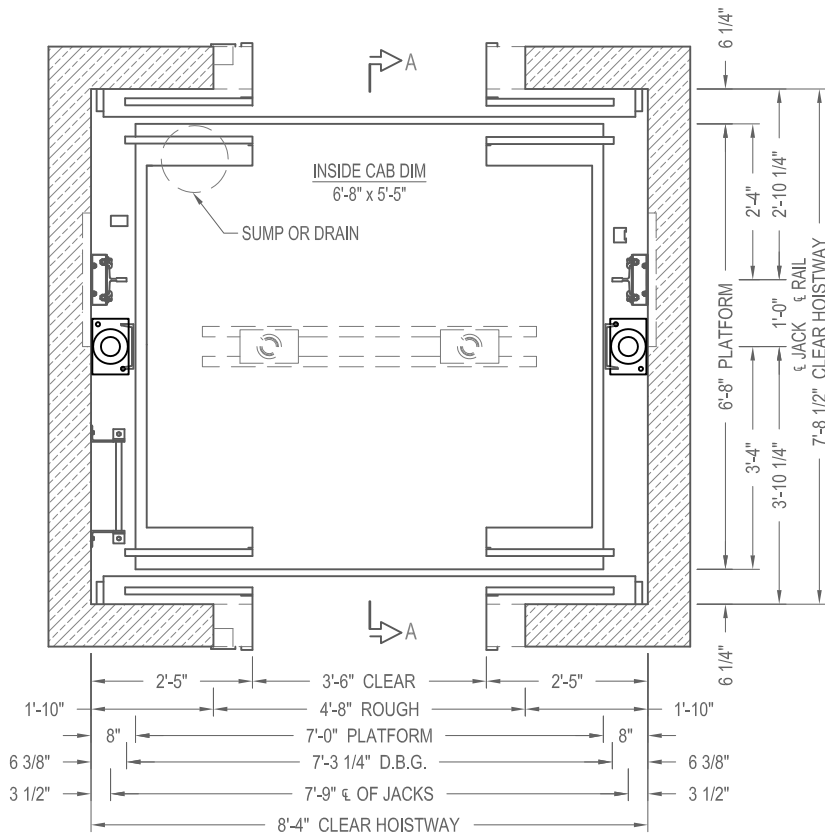


SINGLE SPEED HOISTWAY PLAN

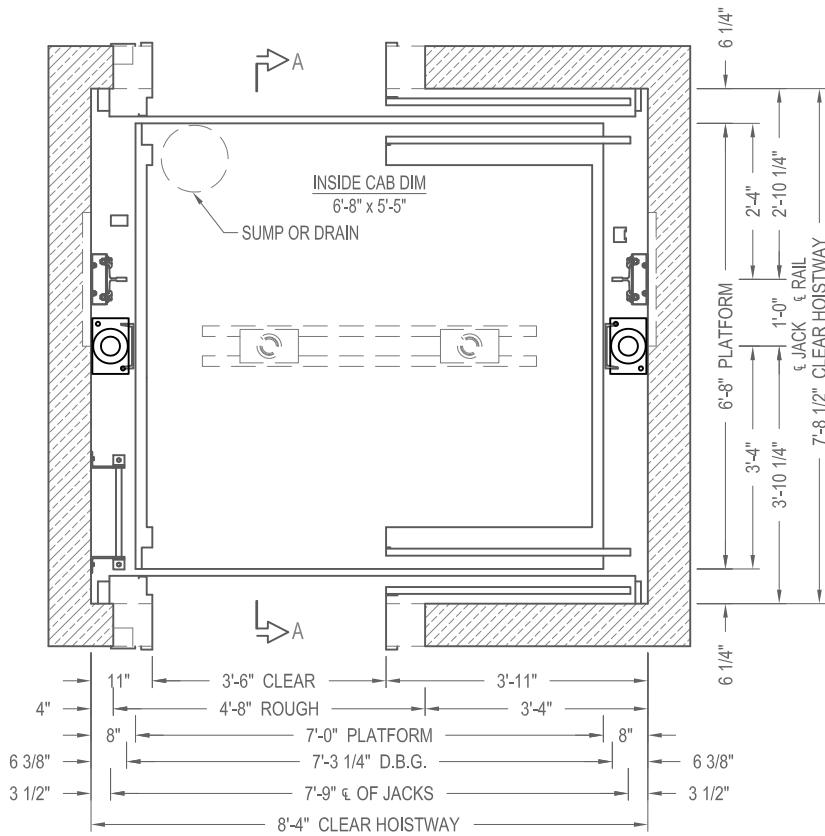


PASSENGER HOLELESS
ELEVATION & PLAN VIEW

CAPACITY 3500 lbs. 35HLSS2E14
SINGLE SLIDE & CENTER PARTING



CENTER PARTING HOISTWAY PLAN

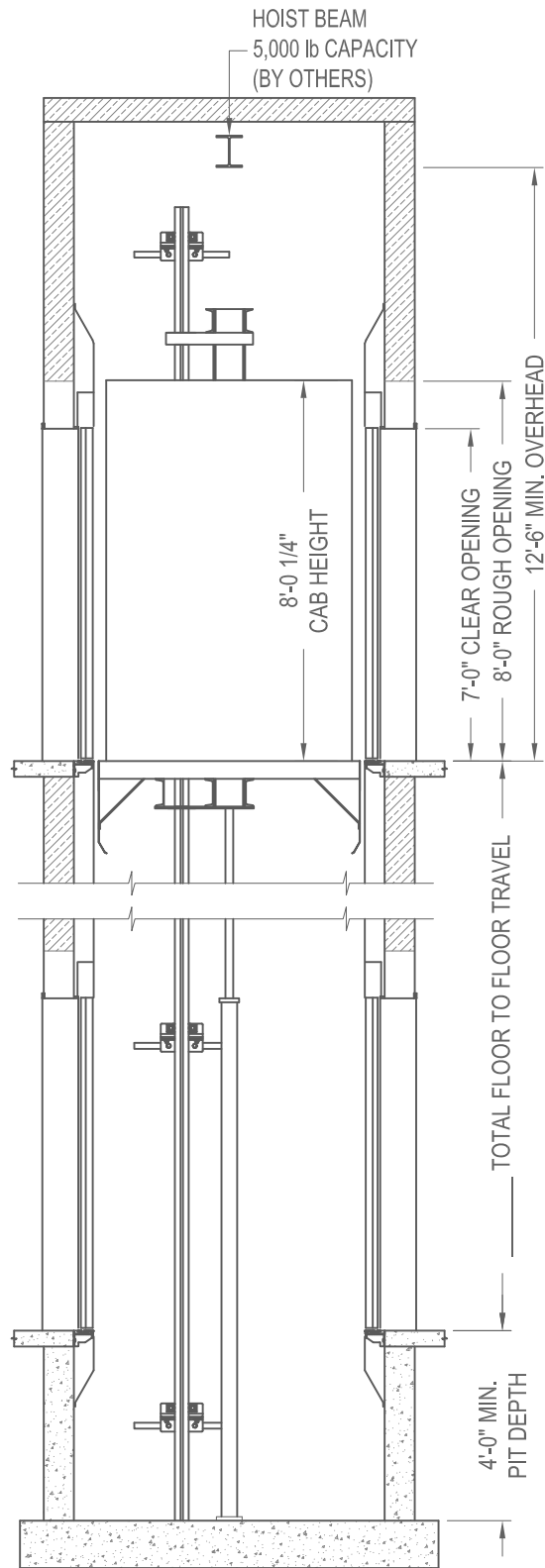


SINGLE SPEED HOISTWAY PLAN



PASSENGER HOLELESS
PLAN VIEW

CAPACITY 3500 lbs. | 35HLSS2E14
SINGLE SLIDE & CENTER PARTING



SECTION A-A
NOT TO SCALE



PASSENGER HOLELESS
ELEVATION VIEW

CAPACITY 3500 lbs.

35HLSS2E14

SINGLE SLIDE & CENTER PARTING