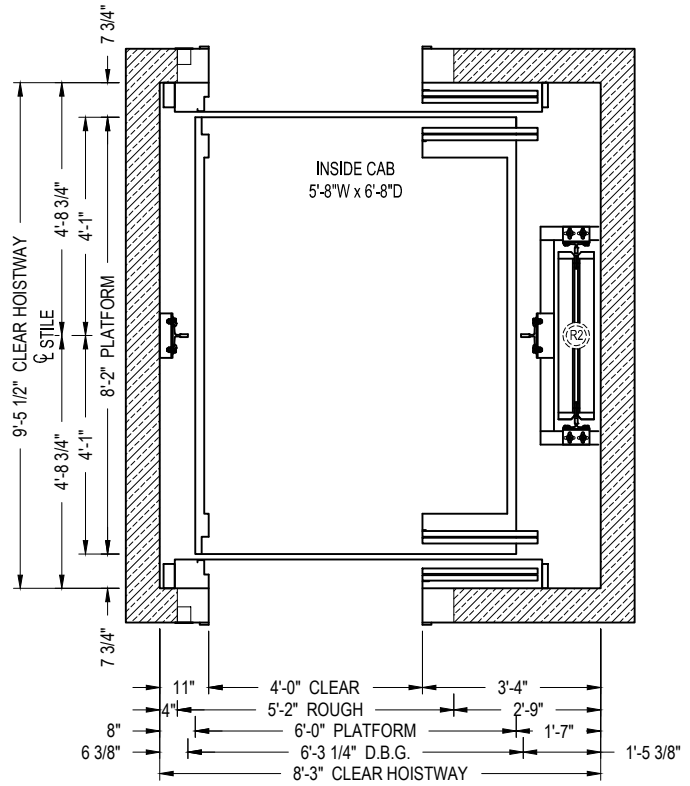


SECTION A-A
NOT TO SCALE

*- CONSULT LITERATURE FOR SPEEDS EXCEEDING 200 fpm



TWO SPEED HOISTWAY PLAN

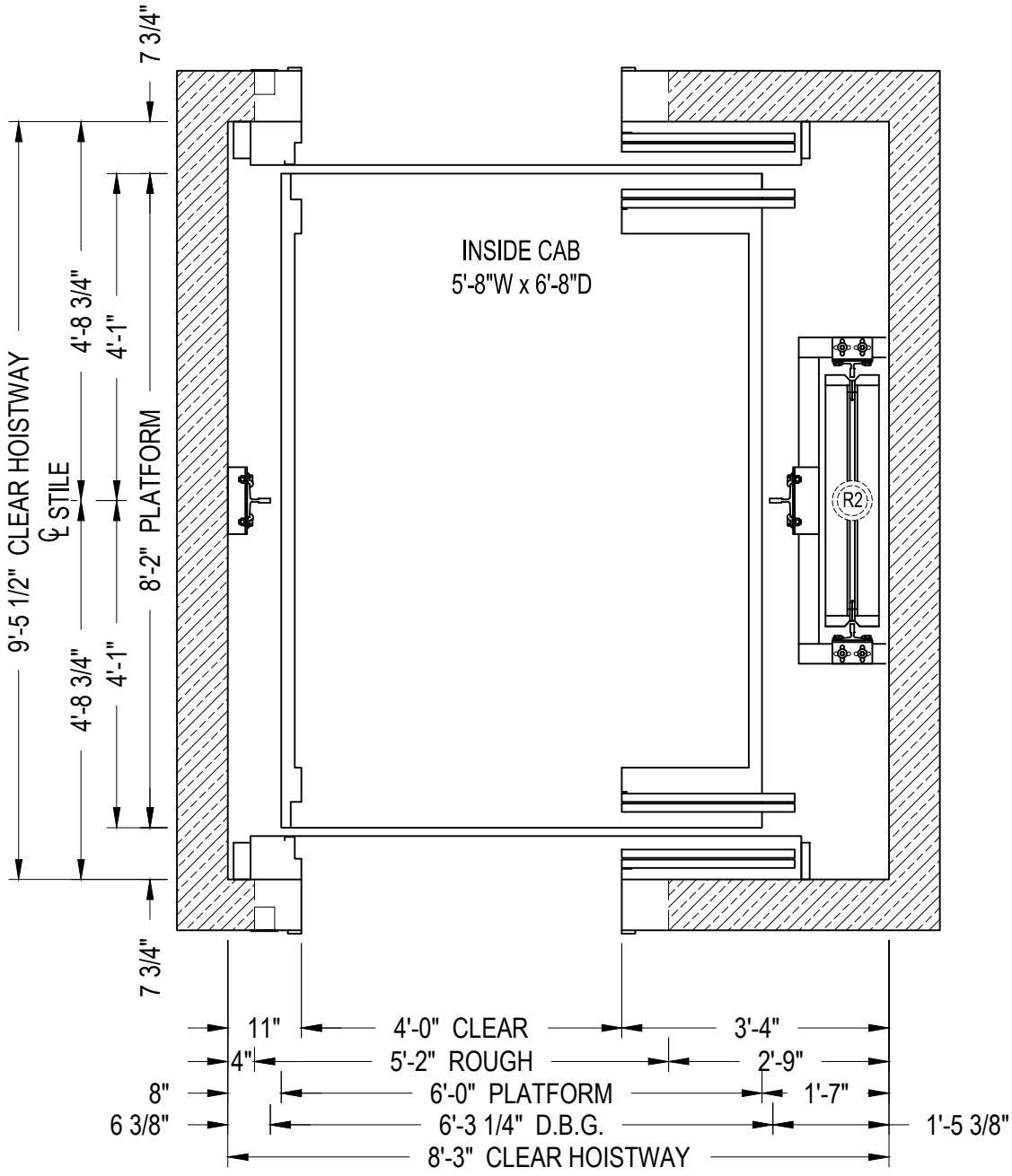


GEARED TRACTION
ELEVATION & PLAN VIEW

CAPACITY 3500 lbs.

35HGTT2E14

TWO SPEED



TWO SPEED HOISTWAY PLAN



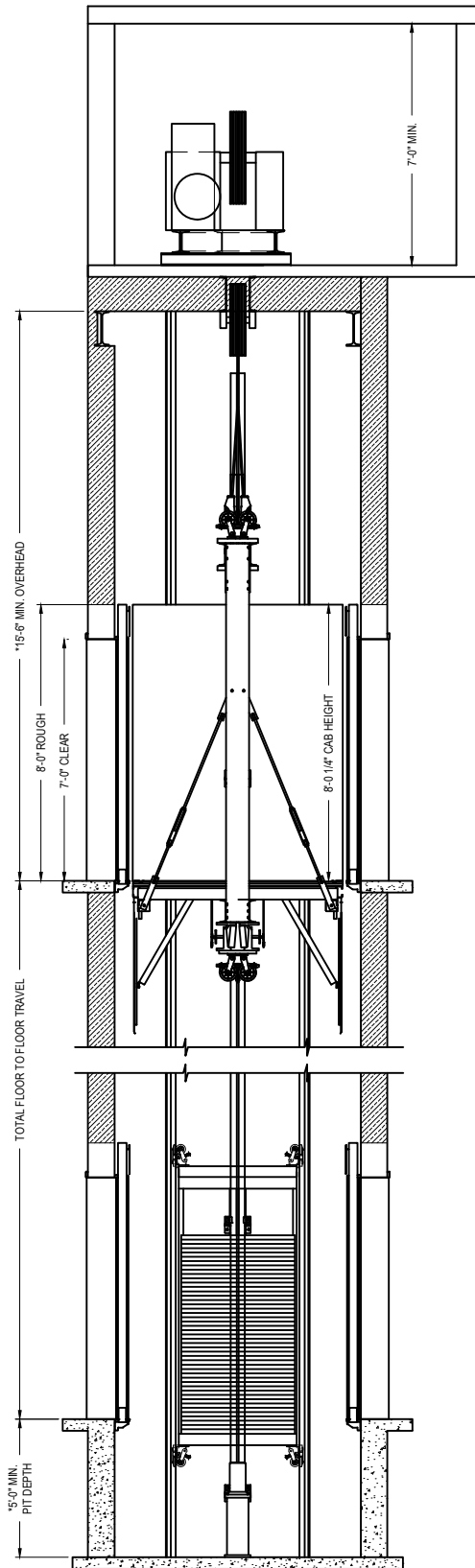
GEARED TRACTION

PLAN VIEW

CAPACITY 3500 lbs.

35HGTT2E14

TWO SPEED



SECTION A-A
NOT TO SCALE

*- CONSULT LITERATURE FOR SPEEDS EXCEEDING 200 fpm



GEARED TRACTION
ELEVATION VIEW

CAPACITY 3500 lbs.

35HGTT2E14

TWO SPEED