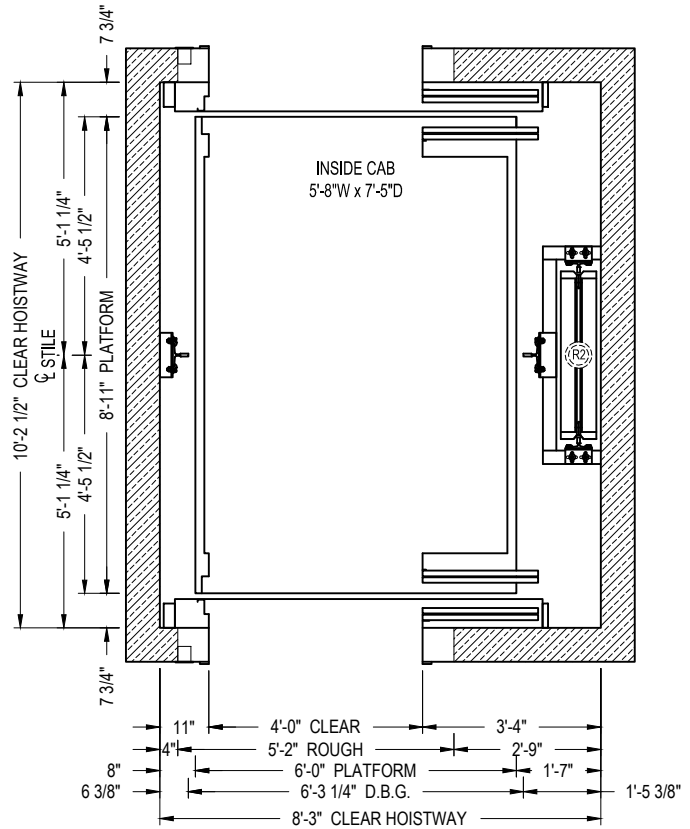


SECTION A-A
NOT TO SCALE

* CONSULT LITERATURE FOR SPEEDS EXCEEDING 200 fpm



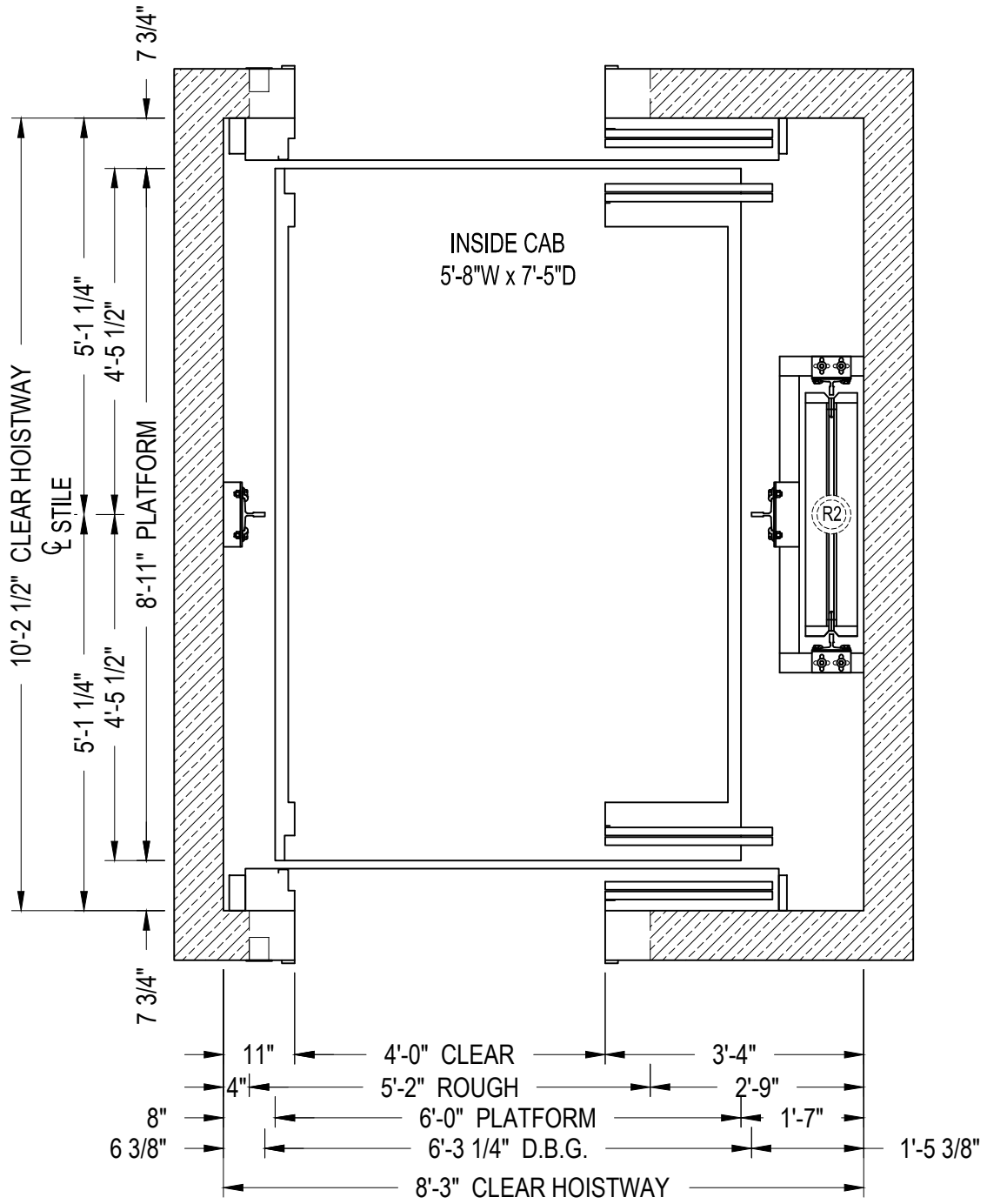
TWO SPEED HOISTWAY PLAN



GEARED TRACTION
ELEVATION & PLAN VIEW

CAPACITY 4000 lbs.
TWO SPEED

40HGTT2E14



TWO SPEED HOISTWAY PLAN



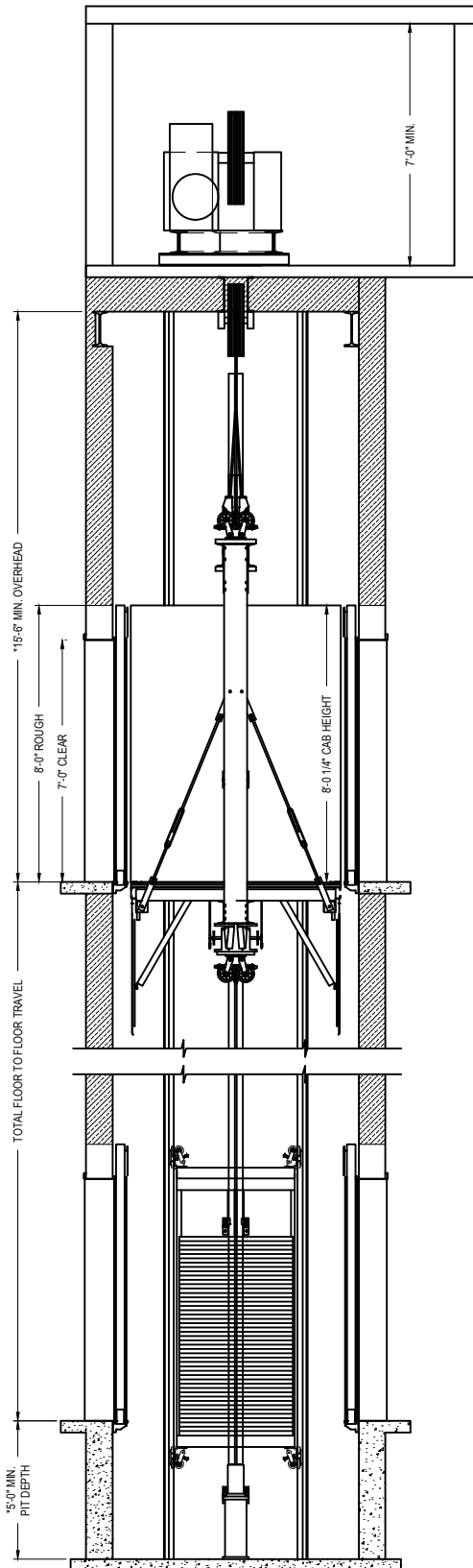
GEARED TRACTION

CAPACITY 4000 lbs.

40HGTT2E14

PLAN VIEW

TWO SPEED



SECTION A-A
NOT TO SCALE

*- CONSULT LITERATURE FOR SPEEDS EXCEEDING 200 fpm



GEARED TRACTION
ELEVATION VIEW

CAPACITY 4000 lbs.
TWO SPEED

40HGTT2E14