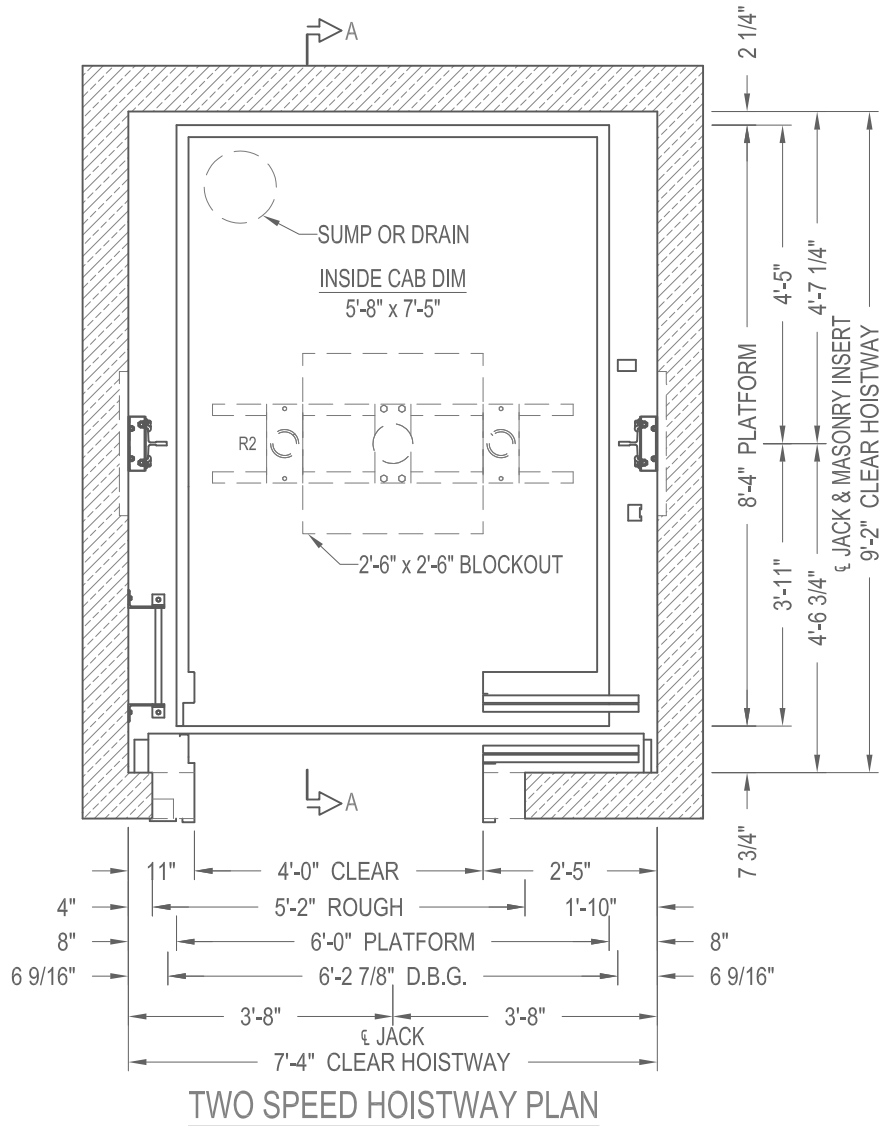


SECTION A-A  
NOT TO SCALE



TWO SPEED HOISTWAY PLAN

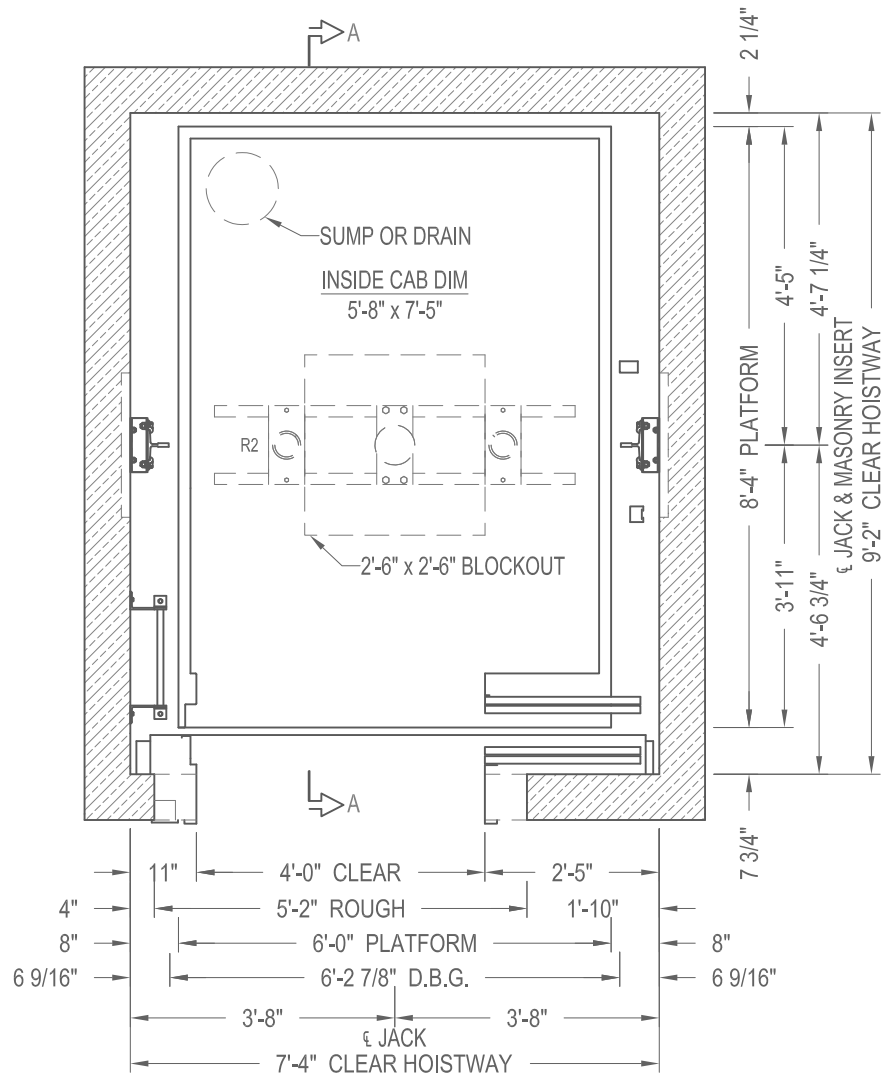


PASSENGER IN-GROUND  
ELEVATION & PLAN VIEW

CAPACITY 4000 lbs.

40HIGTS1E14

TWO SPEED HOSPITAL



TWO SPEED HOISTWAY PLAN

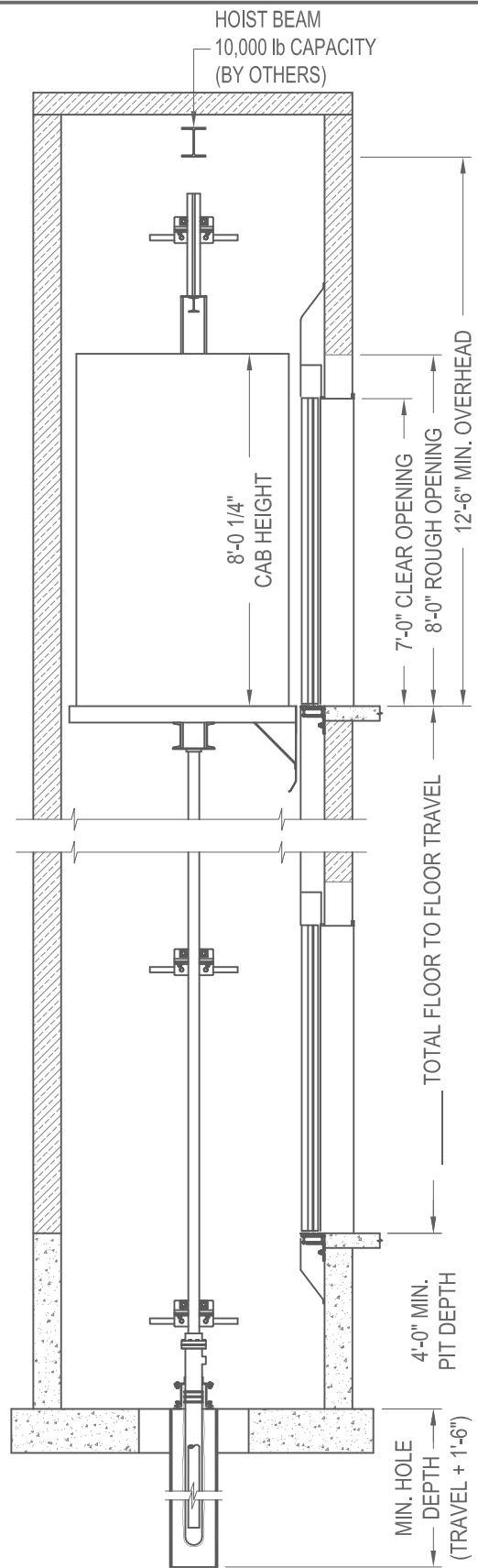


PASSENGER IN-GROUND  
 PLAN VIEW

CAPACITY 4000 lbs.

40HIGTS1E14

TWO SPEED HOSPITAL



SECTION A-A  
NOT TO SCALE



PASSENGER IN-GROUND  
ELEVATION VIEW

CAPACITY 4000 lbs.

40HIGTS1E14

TWO SPEED HOSPITAL