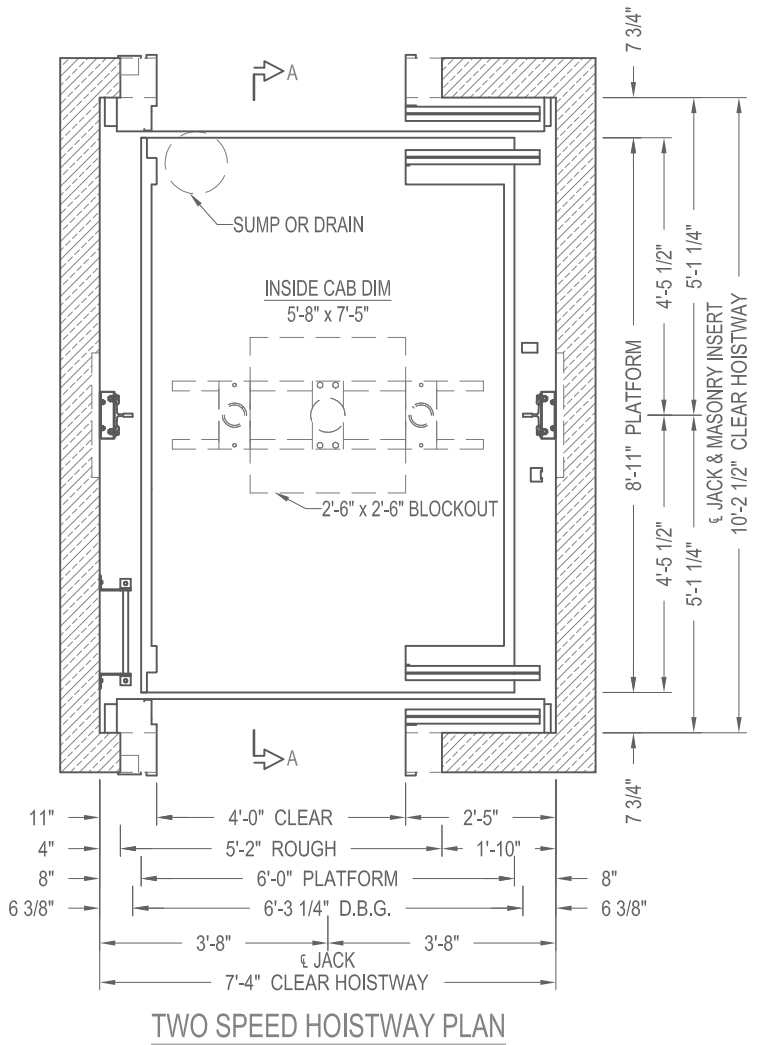


SECTION A-A
NOT TO SCALE

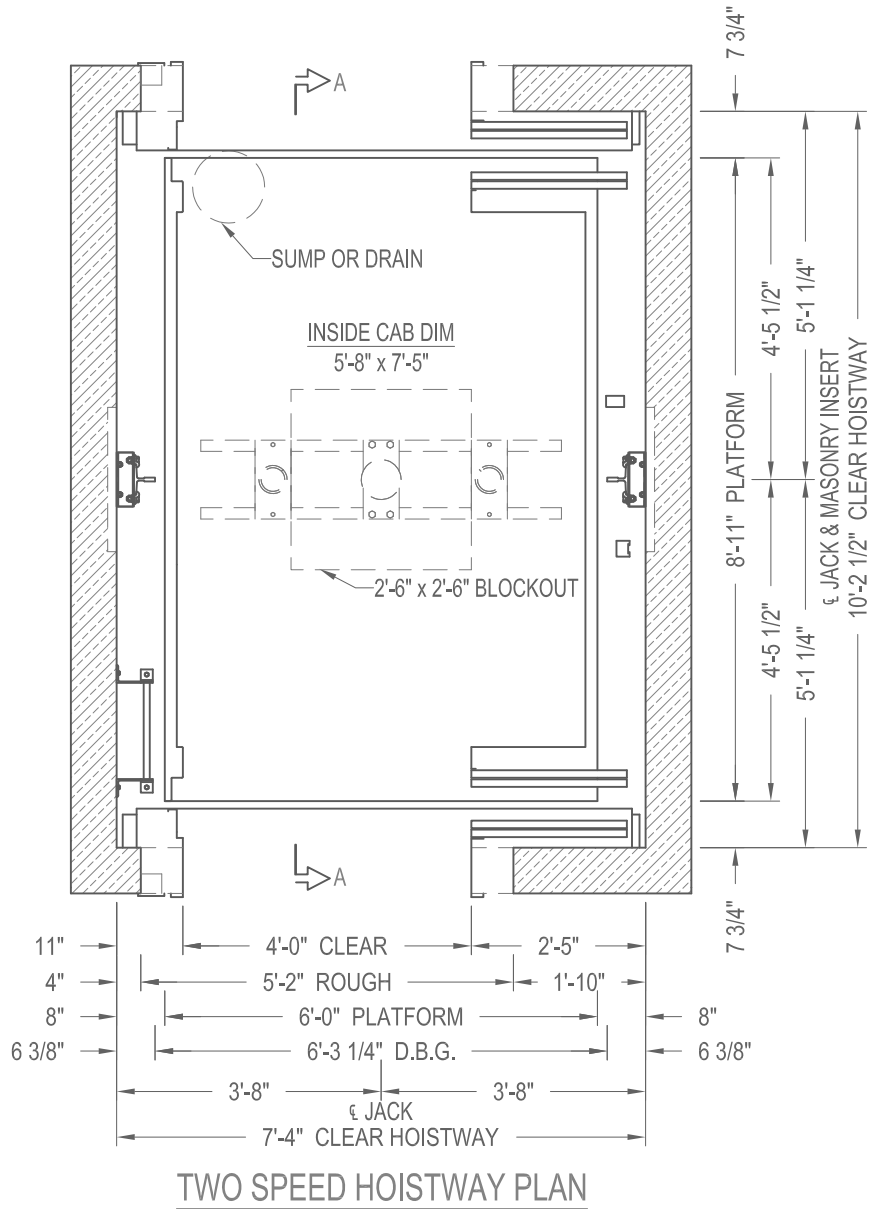


PASSENGER IN-GROUND
ELEVATION & PLAN VIEW

CAPACITY 4000 lbs.

40HIGTS2E14

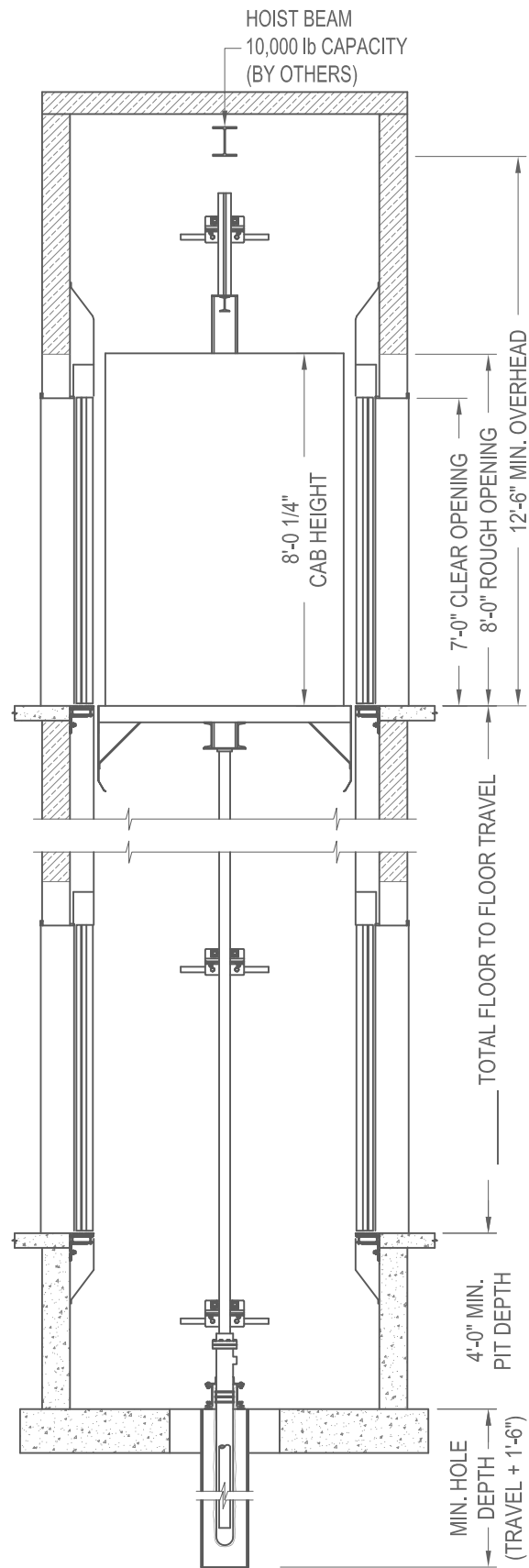
TWO SPEED



PASSENGER IN-GROUND
PLAN VIEW

CAPACITY 4000 lbs.
TWO SPEED

40HIGTS2E14



SECTION A-A
NOT TO SCALE



PASSENGER IN-GROUND
ELEVATION VIEW

CAPACITY 4000 lbs.

40HIGTS2E14

TWO SPEED