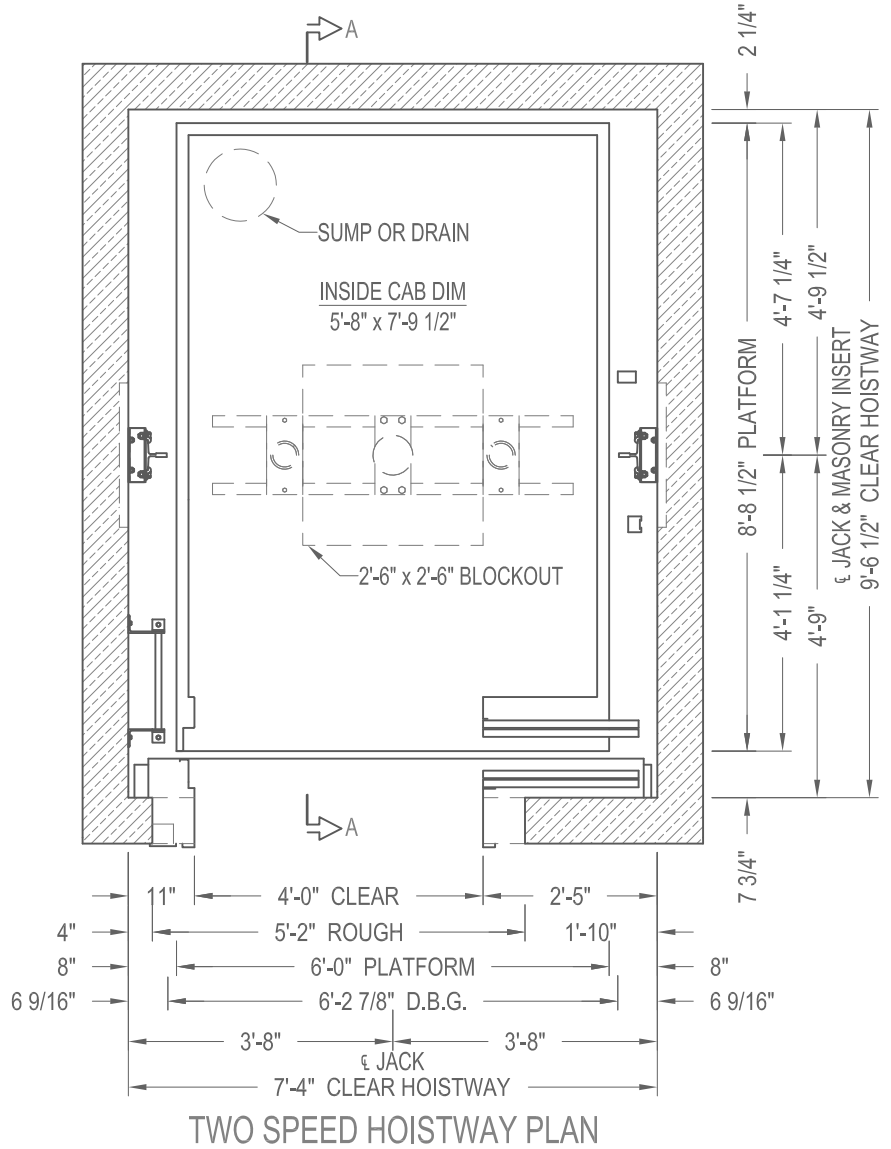


SECTION A-A
NOT TO SCALE

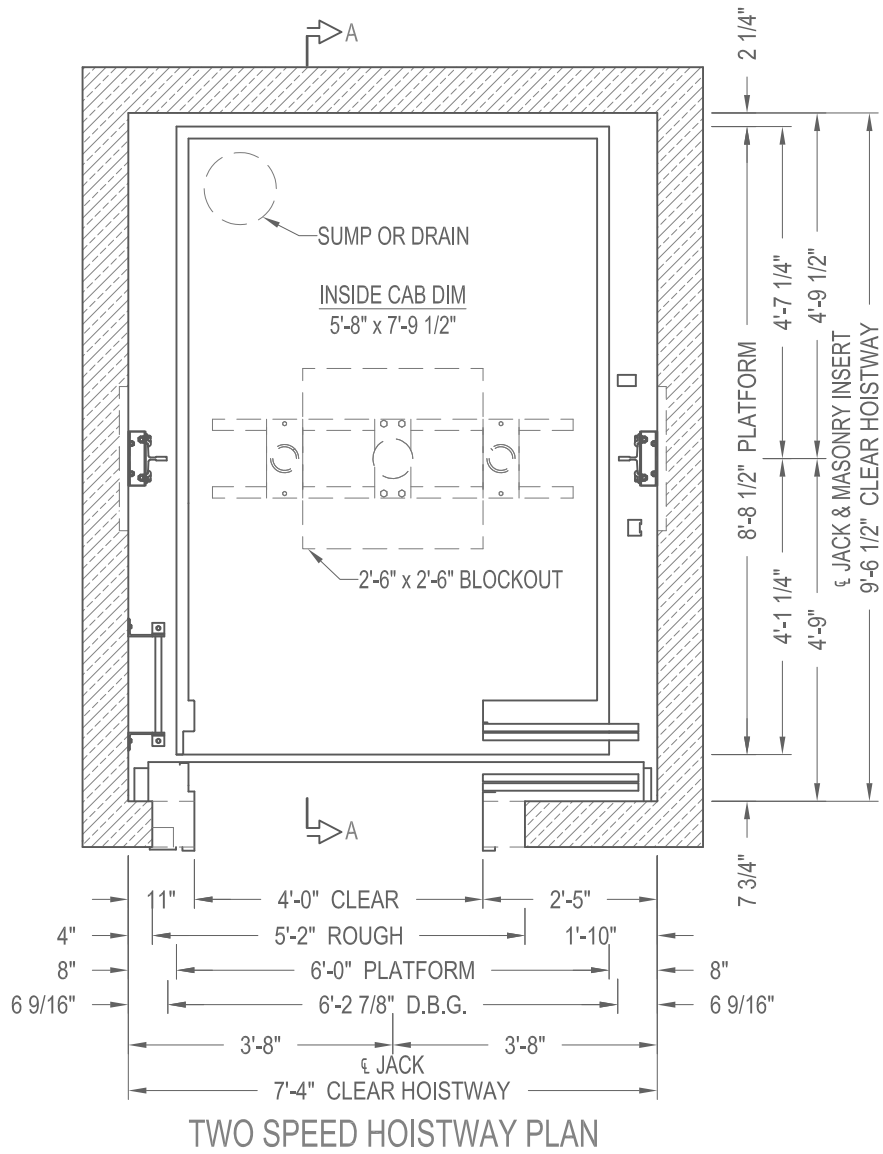


PASSENGER IN-GROUND
ELEVATION & PLAN VIEW

CAPACITY 4500 lbs.

45HIGTS1E14

TWO SPEED HOSPITAL

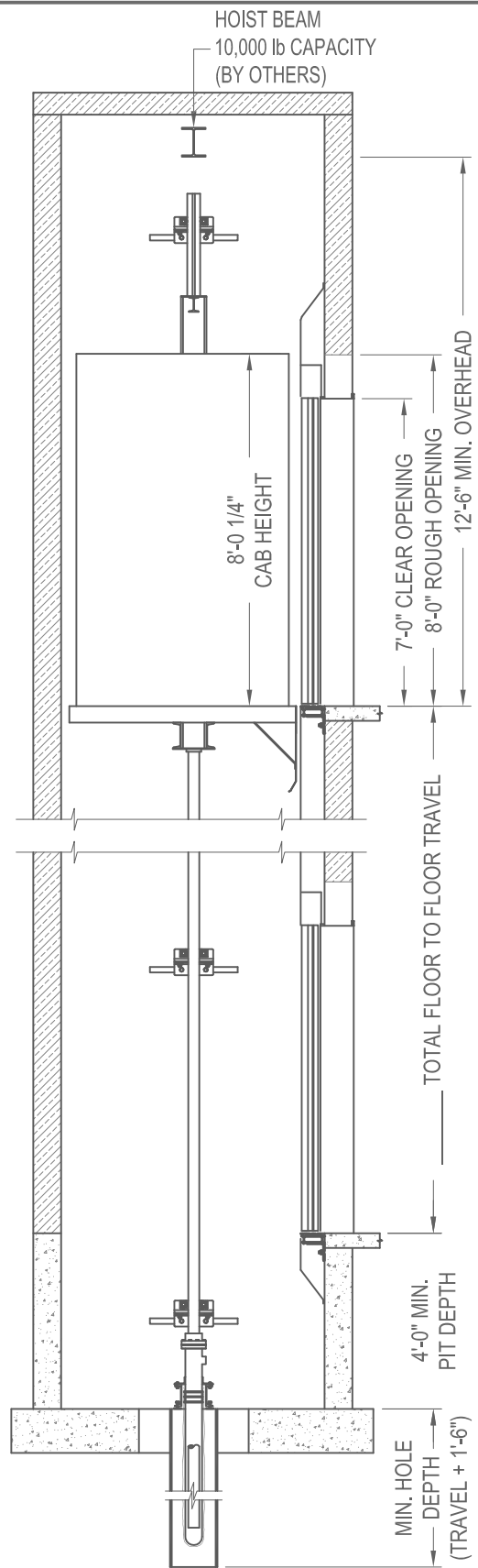


PASSENGER IN-GROUND
 PLAN VIEW

CAPACITY 4500 lbs.

45HIGTS1E14

TWO SPEED HOSPITAL



SECTION A-A
NOT TO SCALE



PASSENGER IN-GROUND
ELEVATION VIEW

CAPACITY 4500 lbs.

45HIGTS1E14

TWO SPEED HOSPITAL