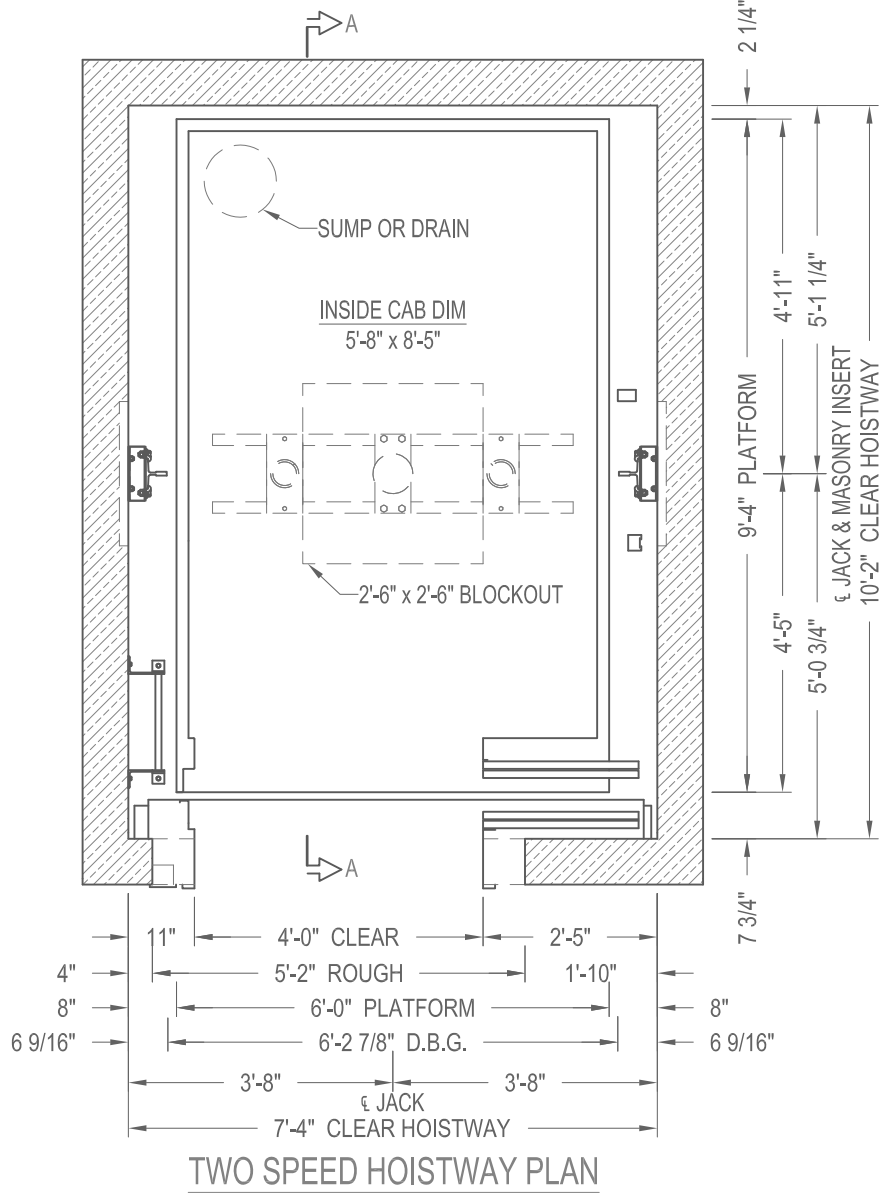


SECTION A-A
NOT TO SCALE



TWO SPEED HOISTWAY PLAN

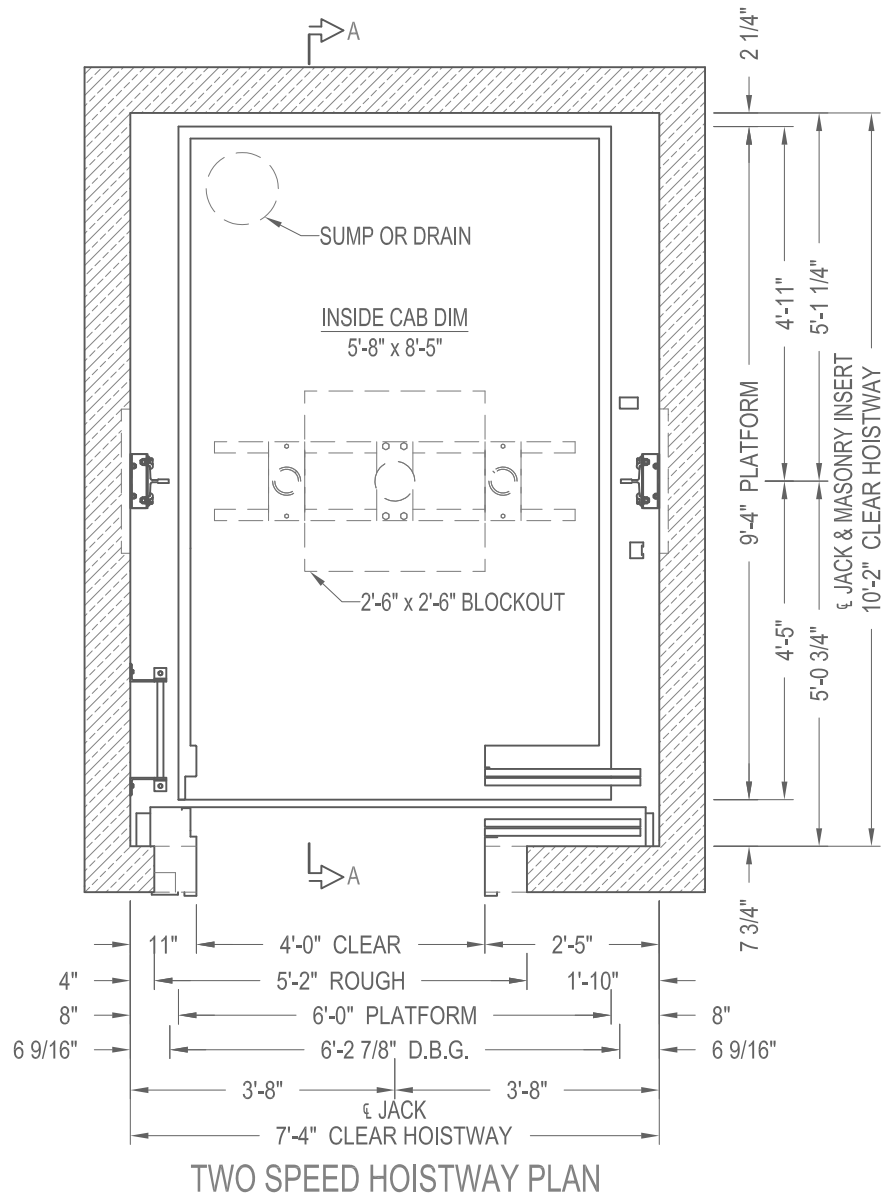


PASSENGER IN-GROUND
ELEVATION & PLAN VIEW

CAPACITY 5000 lbs.

50HIGTS1E14

TWO SPEED HOSPITAL

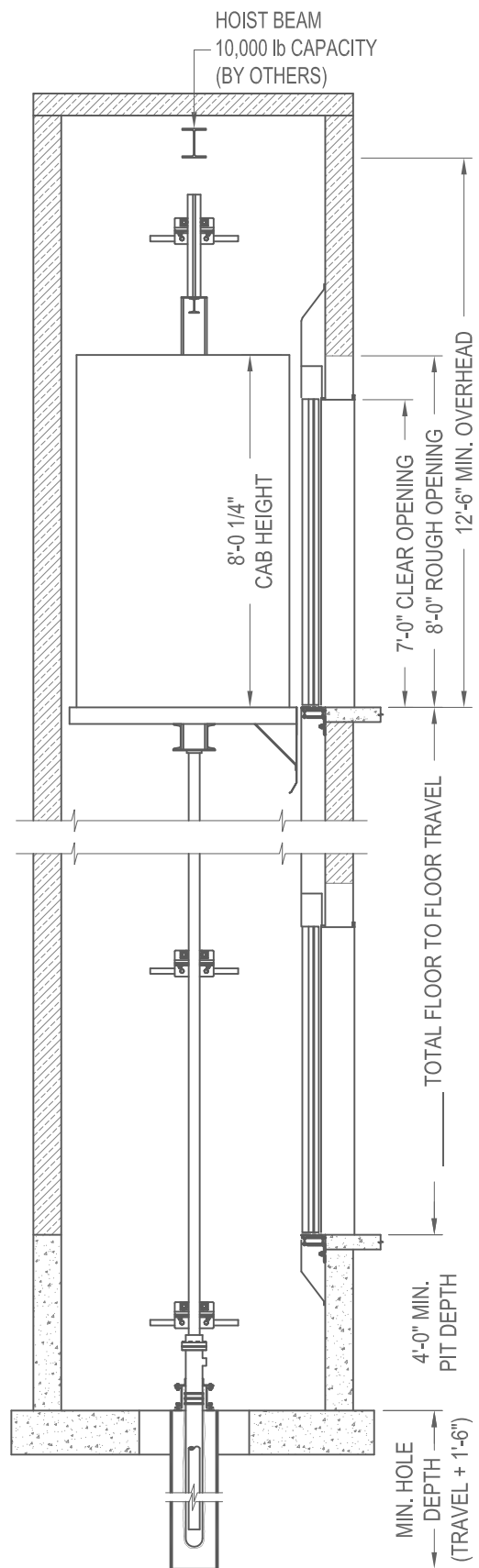


PASSENGER IN-GROUND
PLAN VIEW

CAPACITY 5000 lbs.

50HIGTS1E14

TWO SPEED HOSPITAL



SECTION A-A
NOT TO SCALE



PASSENGER IN-GROUND
ELEVATION VIEW

CAPACITY 5000 lbs.

50HIGTS1E14

TWO SPEED HOSPITAL