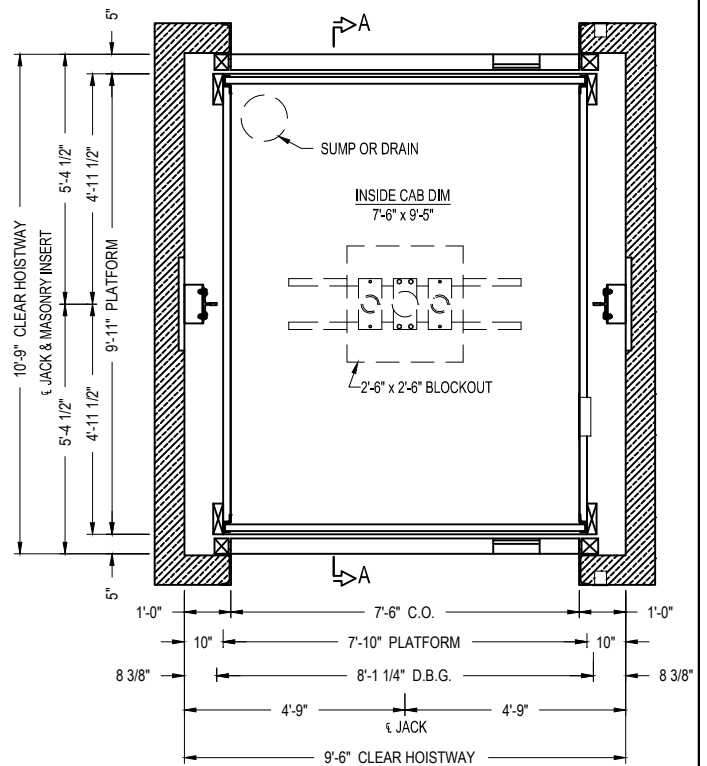


SECTION A-A  
NOT TO SCALE

\* DIMENSIONS BASED ON 7'-8" INSIDE CAB.  
OTHER OPTIONS AVAILABLE.  
CONSULT LITERATURE.



HOISTWAY PLAN

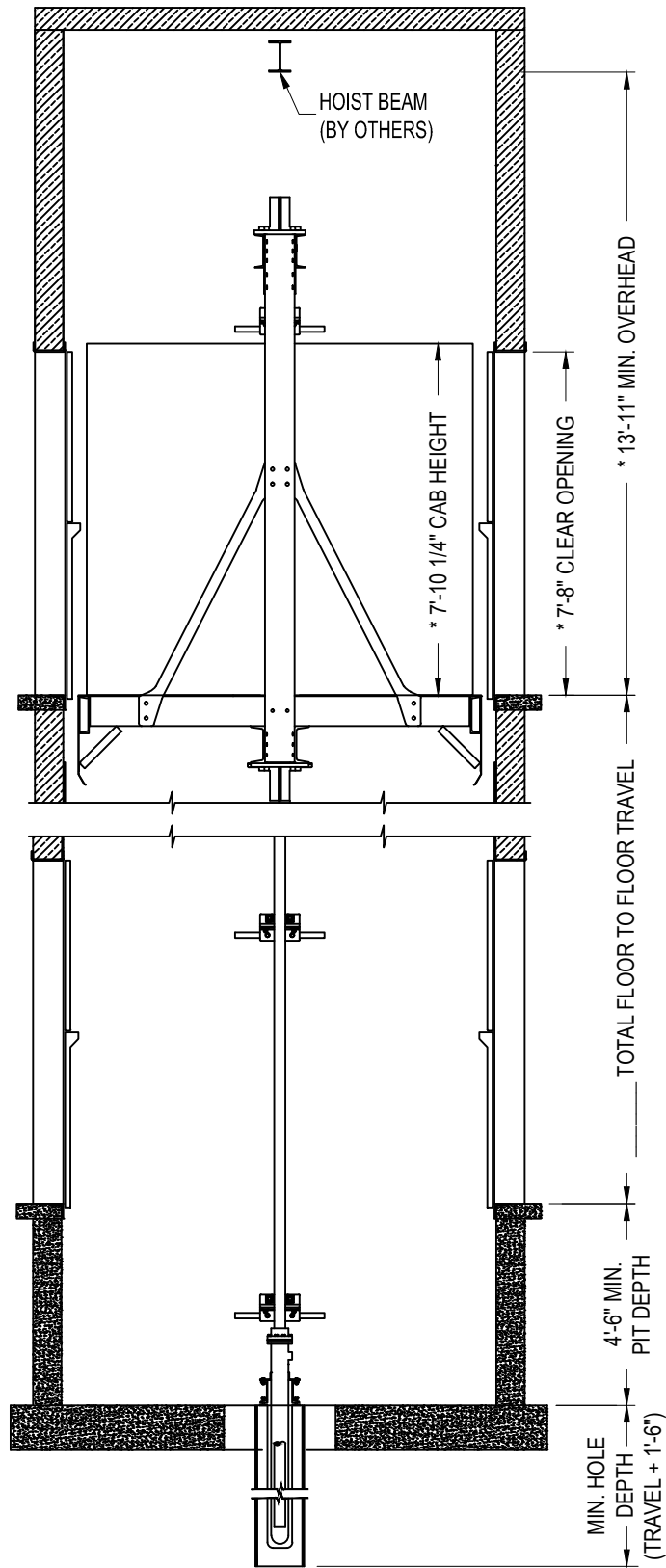


FREIGHT IN-GROUND  
ELEVATION & PLAN VIEW

CAPACITY 5000 lbs.

50FIG2E14

FREIGHT



SECTION A-A  
NOT TO SCALE

\* DIMENSIONS BASED ON 7'-8" INSIDE CAB.  
OTHER OPTIONS AVAILABLE.  
CONSULT LITERATURE.

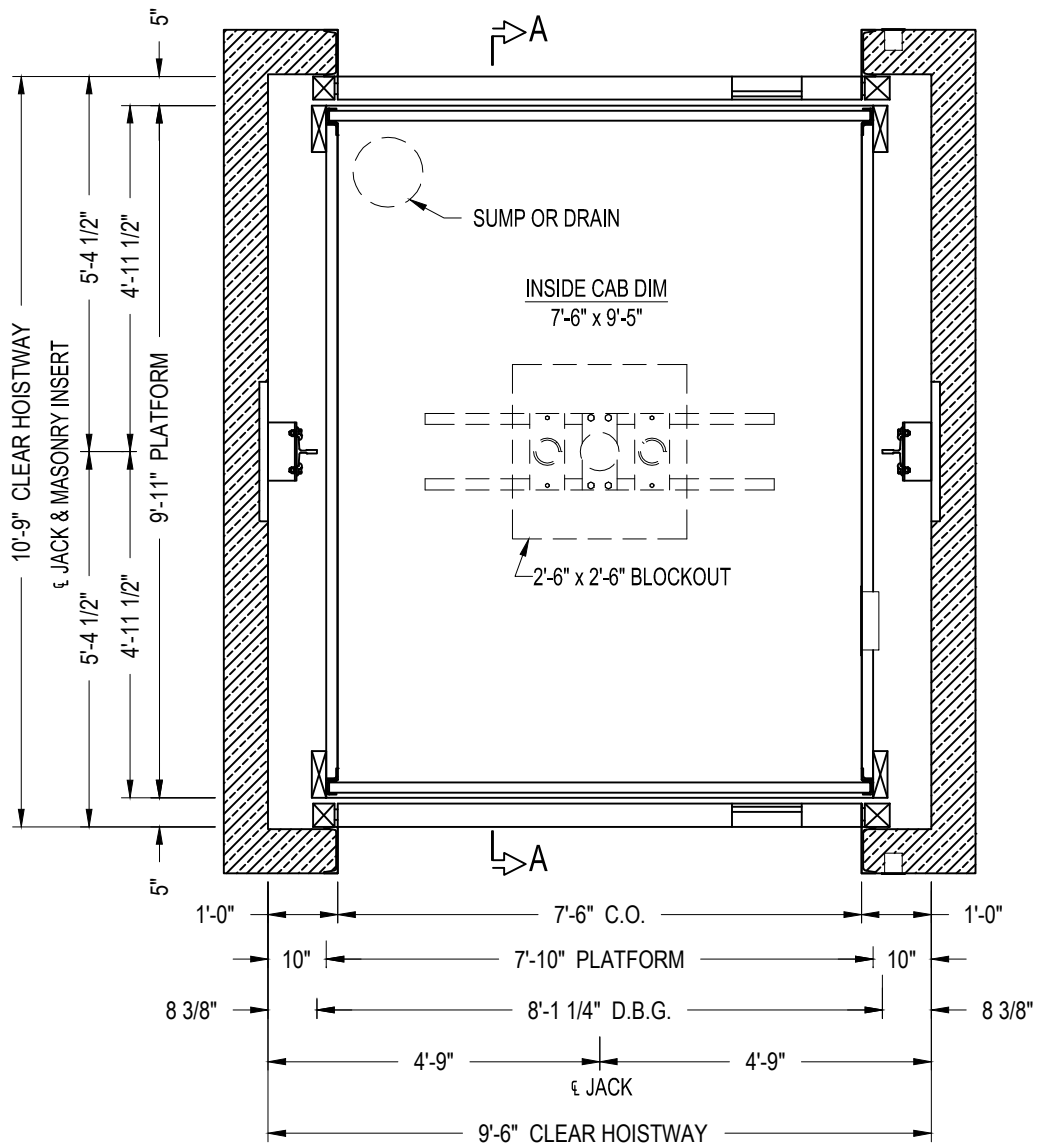


FREIGHT IN-GROUND  
ELEVATION VIEW

CAPACITY 5000 lbs.

50FIG2E14

FREIGHT



HOISTWAY PLAN



FREIGHT IN-GROUND

CAPACITY 5000 lbs.

50FIG2E14

PLAN VIEW

FREIGHT