

**SECTION A-A**  
NOT TO SCALE

\* DIMENSIONS BASED ON 7'-8" INSIDE CAB.  
OTHER OPTIONS AVAILABLE.  
CONSULT LITERATURE.

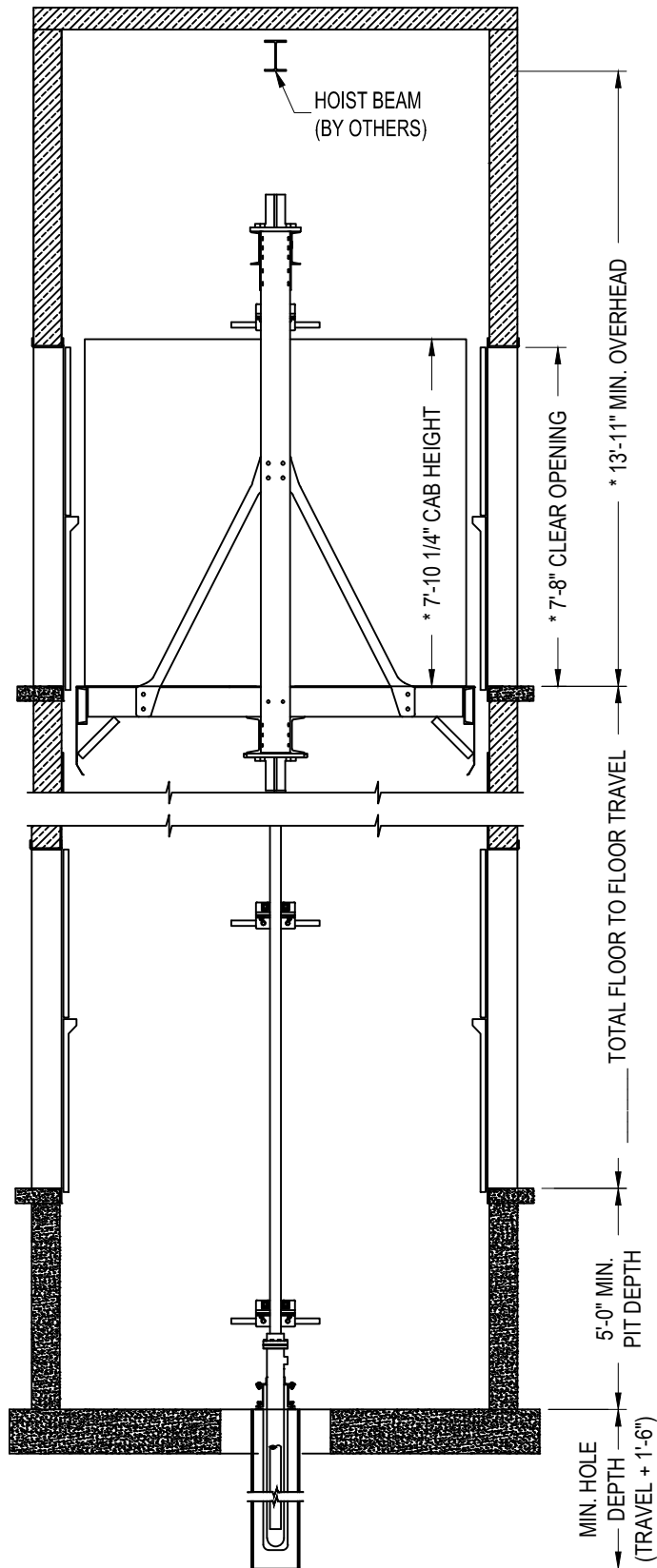


**FREIGHT IN-GROUND**  
**ELEVATION & PLAN VIEW**

CAPACITY 6000 lbs.

60FIG2E14

FREIGHT



SECTION A-A  
NOT TO SCALE

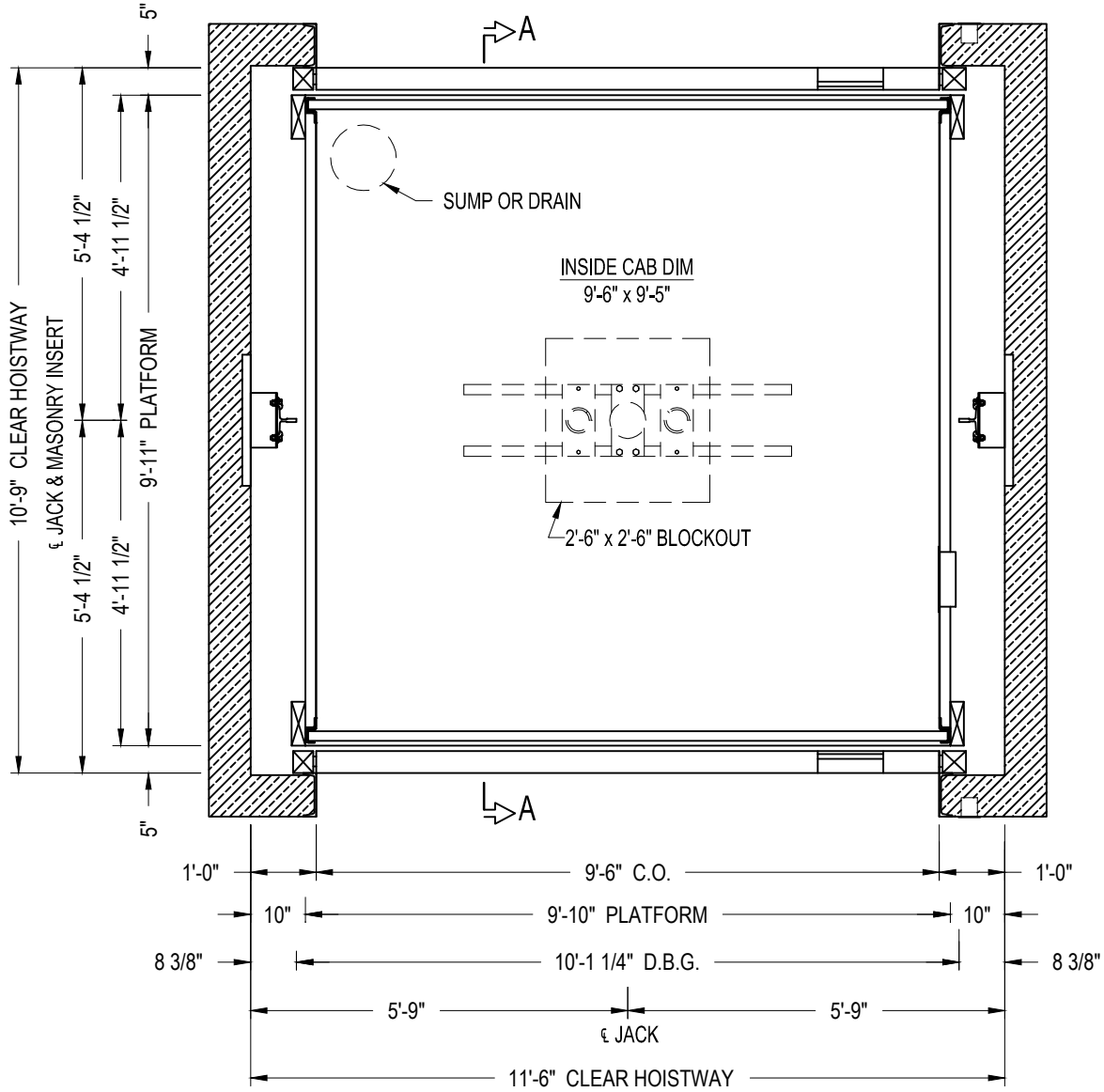
\* DIMENSIONS BASED ON 7'-8" INSIDE CAB.  
OTHER OPTIONS AVAILABLE.  
CONSULT LITERATURE.



FREIGHT IN-GROUND  
ELEVATION VIEW

CAPACITY 6000 lbs.  
FREIGHT

60FIG2E14



### HOISTWAY PLAN



FREIGHT IN-GROUND  
 PLAN VIEW

CAPACITY 6000 lbs.  
 FREIGHT

60FIG2E14