

SECTION A-A
NOT TO SCALE

* DIMENSIONS BASED ON 7'-8" INSIDE CAB.
OTHER OPTIONS AVAILABLE.
CONSULT LITERATURE.

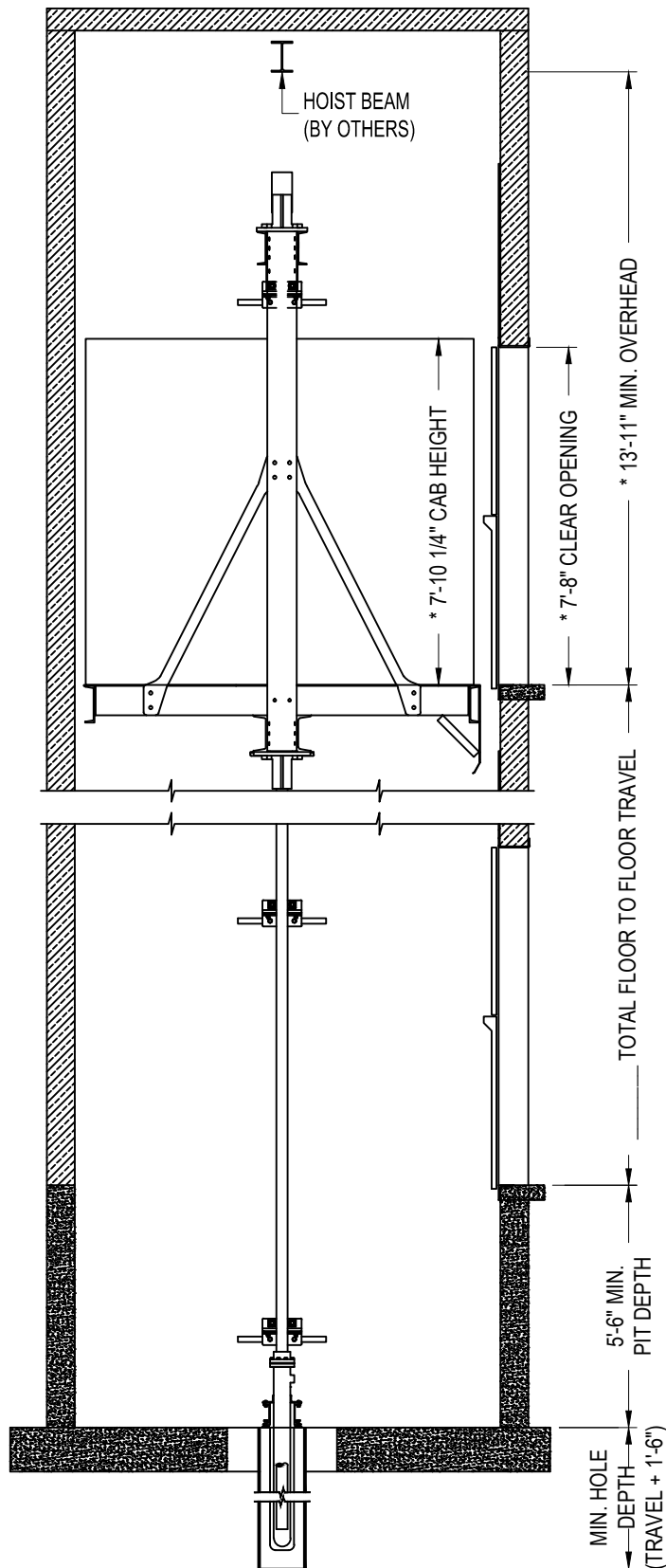


FREIGHT IN-GROUND
ELEVATION & PLAN VIEW

CAPACITY 8000 lbs.

80FIG1E14

FREIGHT Class B



SECTION A-A
NOT TO SCALE

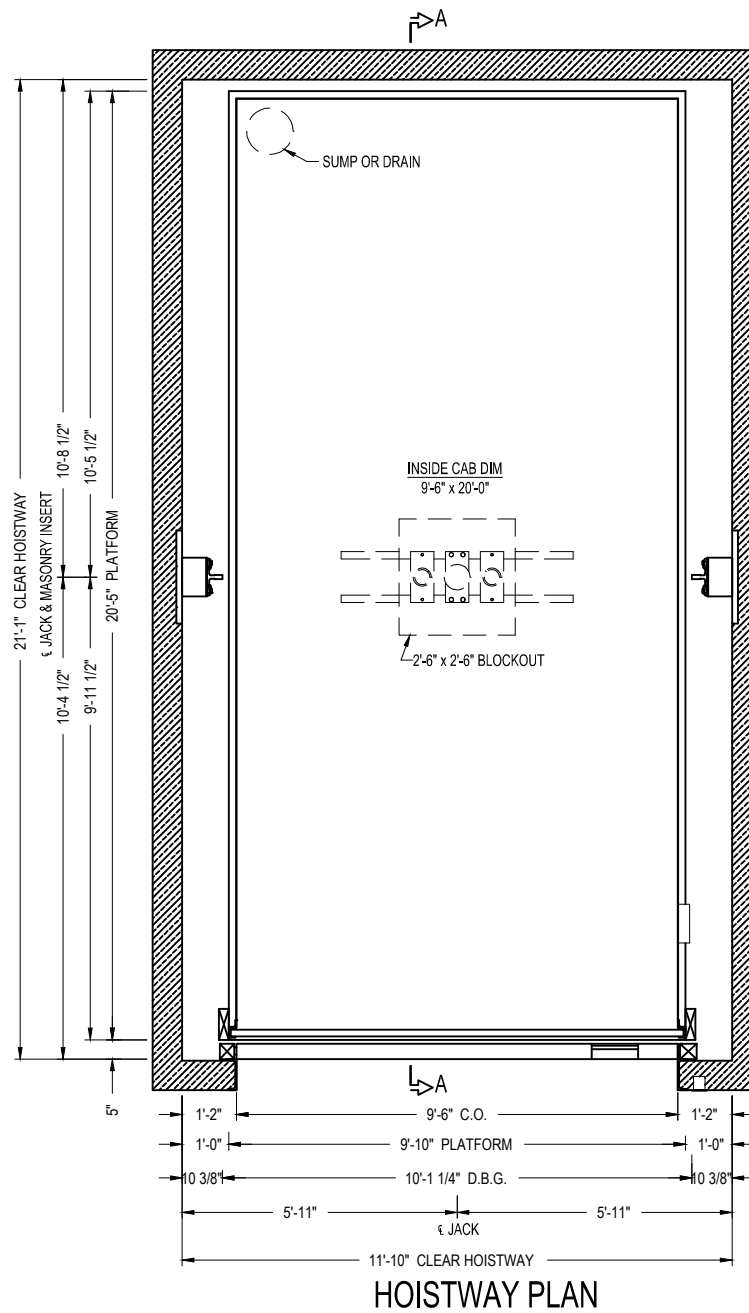
* DIMENSIONS BASED ON 7'-8" INSIDE CAB.
OTHER OPTIONS AVAILABLE.
CONSULT LITERATURE.



FREIGHT IN-GROUND
ELEVATION VIEW

CAPACITY 8000 lbs.
FREIGHT Class B

80FIG1E14



FREIGHT IN-GROUND
PLAN VIEW

CAPACITY 8000 lbs.
FREIGHT Class B

80FIG1E14